

Socket outlets, Plugs and rewirable connectors

Israel, SI 32

Israel Standard SI 32

- Rated Current: 16 Amp max
- Rated Voltage: 230V AC (250V max)
- Frequency: 50 Hz
- 2-pole 3-wire grounded (2P+E)

This plug, defined in the Israeli SI 32 Standard, is unique to Israel and not compatible with other socket outlets in the world.

The plug consists of three flat pins form a Y-shape. L+N pins are 19 mm apart. The plug has a rated current of 16A. In practice the inadequate flat pins cause to overheat when connecting to large appliances. This plug is also in use in the Gaza Strip and in areas which are controlled by the Palestinian National Authority in the West Bank.

In 1989, the SI 32 Standard was revised to use three round $\varnothing 4.4$ mm pins at the same locations as in the older Standard. For compatibility reasons socket outlets are manufactured to accept both plugs with round pins and flat pins. This allows the use of Europlugs which are used in Israel for non grounded appliances of class II. Older socket outlets (from about the 1970s) have combined flat and round holes for L+N in order to accept Europlugs. As of 2006, "pure" Israeli sockets (for 3 flat pins) that do not accept Europlugs are very rare in Israel.

There are also plugs and socket outlets with thick round pins with a rated current of 16A (Dimensions according to BS546), e.g. for connection of an air-conditioning.

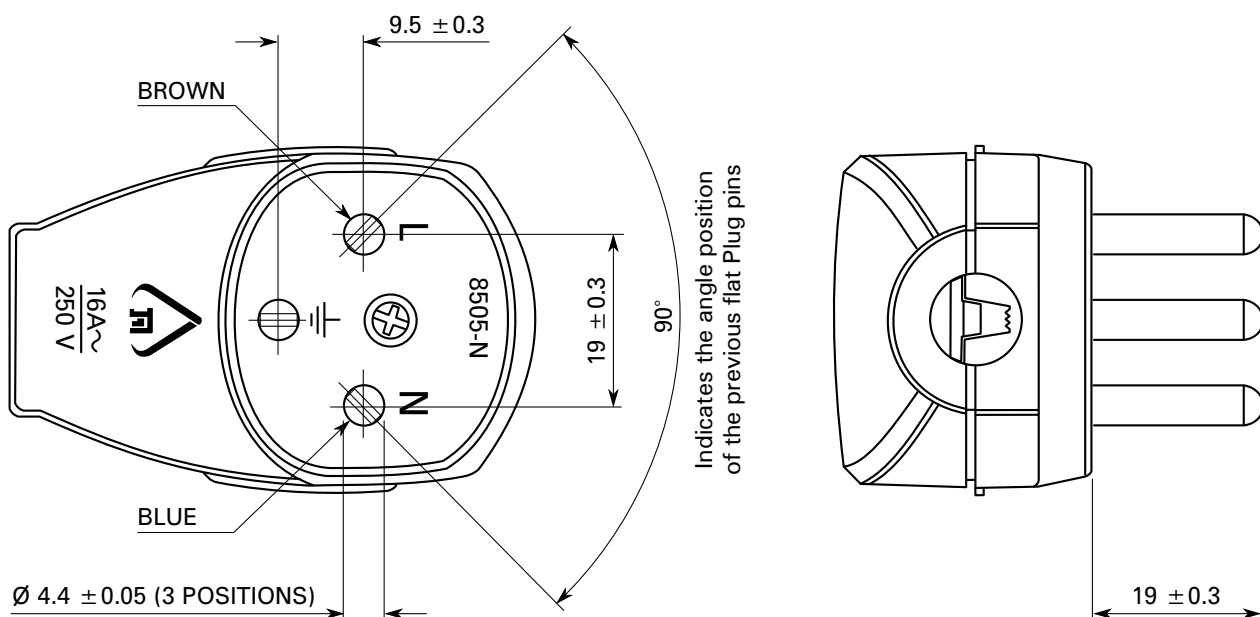
Adapter plugs (2P+E) are not available, as these are not authorized in Israel.

Use multi-travelplug, Adapter with Europlug pins, or appliances with Europlug if you travel to Israel.



Nominal Plug pins Dimensions

Dimensions: mm



**Israel Standard SI 32**

Straight Mains Line Plug with Grounding Contact,
Israeli Standard, 2P + E, 16 Amp, 250 Volt AC

Specifications:

- Ratings: 16 Amp, 250 Volt AC, 2 Pole 3 Wire Grounding (2P + E)
- Compliant with Standards: SI32 (1989) SII (Round Pins)
- Ingress Protection: IP20
- Type of Terminals: Screw Type
- Contact Material: Brass
- Carrying Parts: Polycarbonate
- Cover/Enclosure: Polycarbonate
- Colors available: Black, White



Catalog No.	Color	Description	VPE/Pack	Weight/net
5064-BK	Black	Rewirable Straight Cord Plug	1000/200	0.031 kg/each
5064-WH	White	Rewirable Straight Cord Plug	1000/200	0.031 kg/each

**Israel Standard SI 32**

Angled Mains Line Plug with Grounding Contact,
Israeli Standard, 2P + E, 16 Amp, 250 Volt AC

Specifications:

- Ratings: 16 Amp, 250 Volt AC, 2 Pole 3 Wire Grounding (2P + E)
- Compliant with Standards: SI32 (1989) SII (Round Pins)
- Ingress Protection: IP20
- Type of Terminals: Screw Type
- Contact Material: Brass
- Carrying Parts: Polycarbonate
- Cover/Enclosure: Polycarbonate
- Colors available: Black, White



Catalog No.	Color	Description	VPE/Pack	Weight/net
5054-BK	Black	Rewirable Angled Cord Plug	2000/200	0.029 kg/each
5054-WH	White	Rewirable Angled Cord Plug	2000/200	0.029 kg/each

**Israel Standard SI 32**

Angled Mains Line Connector with Grounding Contact,
Israeli Standard, 2P + E, 16 Amp, 250 Volt AC

Specifications:

- Ratings: 16 Amp, 250 Volt AC, 2 Pole 3 Wire Grounding (2P + E)
- Compliant with Standards: SI32 (1989) SII (Round Pins)
- Ingress Protection: IP20
- Type of Terminals: Screw Type
- Contact Material: Brass
- Carrying Parts: Polycarbonate
- Cover/Enclosure: Polycarbonate
- Colors available: White



Catalog No.	Color	Description	VPE/Pack	Weight/net
5019-WH	White	Rewirable Angled Cord Connector	2000/100	0.051 kg/each

**Israel Standard SI 32**

Surface Mounting Receptacle with Grounding Contact,
Israeli Standard, 2P + E, 16 Amp, 250 Volt AC

Specifications:

- Ratings: 16 Amp, 250 Volt AC, 2 Pole 3 Wire Grounding (2P + E)
- Compliant with Standards: SI32 (1989) SII (Round Pins)
- Ingress Protection: IP20
- Type of Terminals: Screw Type
- Contact Material: Brass
- Carrying Parts: Polycarbonate
- Cover/Enclosure: Polycarbonate
- Colors available: White



YARDEN
10180\1

Catalog No.	Color	Description	VPE/Pack	Weight/net
5551-WH	White	Surface Mounting Receptacle	1000/20	0.071 kg/each

**Israel Standard SI 32**

Surface Mounting Receptacle with Grounding Contact,
Israeli Standard, IP-X4, 2P + E, 16 Amp, 250 Volt AC

Specifications:

- Ratings: 16 Amp, 250 Volt AC, 2 Pole 3 Wire Grounding (2P + E)
- Compliant with Standards: SI32 (1989) SII (Round Pins)
- Ingress Protection: IP-X4 (Protected against splashing water)
- Type of Terminals: Screw Type
- Contact Material: Brass
- Carrying Parts: Polycarbonate
- Cover/Enclosure: Polycarbonate
- Colors available: White



YARDEN
10206

Catalog No.	Color	Description	VPE/Pack	Weight/net
55512-WH	White	Surface Mounting Receptacle, IP-X4	480/12	0.112 kg/each

**Israel Standard SI 32**

Flush Mounting Receptacle with Grounding Contact,
Israeli Standard, 2P + E, 16 Amp, 250 Volt AC

Specifications:

- Ratings: 16 Amp, 250 Volt AC, 2 Pole 3 Wire Grounding (2P + E)
- Compliant with Standards: SI32 (1989) SII (Round Pins)
- Ingress Protection: IP20
- Type of Terminals: Screw Type
- Contact Material: Brass
- Carrying Parts: Polycarbonate
- Cover/Enclosure: Polycarbonate
- Colors available: White



NOA

Catalog No.	Color	Description	VPE/Pack	Weight/net
7950-WH	White	Flush Mounting Socket Outlet	1000/20	0.071 kg/each



Israel Standard SI 32

Single Flange Mount Receptacle, IP-X5, 16 Amp, 250 Volt AC, 2 Pole 3 Wire Grounding (2P + E)

Specifications:

- Ratings: 16 Amp, 250 Volt AC, 2 Pole 3 Wire Grounding (2P + E)
- Standards: According Latest Israelian Standard SII (Round Pins)
- Ingress Protection: IP-X5 (Protected against water jets)
- Type of Terminals: Screw Type, Back Wired
- Contact Material: Brass
- Housing Material: Thermoplastic, Fire Resistant
- Colors available: Blue

Catalog No.	Color	Description	VPE/Pack	Weight/net
5901-BL	Blue	Single Flange Mount Receptacle, IP-X5, supplied with Gasket	480/30	0.058 kg/each



Israel Standard SI 32

Snap-On Socket Outlet, for use with Symmetrical 35mm DIN-Rail, Israeli Standard, 2P + E, 16 Amp, 250 Volt AC, with Shutter

Specifications:

- Ratings: 16 Amp, 250 Volt AC, 2 Pole 3 Wire Grounding (2P + E)
- Compliant with Standards: SI32 (1989) SII (Round Pins)
- Ingress Protection: IP20
- Type of Terminals: Screw Type
- Contact Material: Brass
- Carrying Parts: Polycarbonate
- Cover/Enclosure: Polycarbonate
- Colors available: Gray

Catalog No.	Color	Description	VPE/Pack	Weight/net
5900-GY	Gray	DIN-Rail Mounting Socket Outlet	480/25	0.084 kg/each

Socket outlet strips (1 to 6 Gang) and devices for connection of an air-conditioning are available on special order.



5704-WH



5036-WH



5021-WH



5024-WH



5711-WH



5022-WH



5025-WH