

CEE Industrial Plug and Socket Devices,  
125 Amp, Cast Aluminum Clad Enclosure



# Cast Aluminum Clad Enclosure

## 125 Ampere

## Industrial Devices



## CEE Shrouded Plug and Socket Devices



### General Informations

The round Plug and Socket Devices internationally standardized to CEE-Publication 17 and IEC 60309 were included in the German standards as DIN 49 462 / 63 and DIN 49 465. The design and test specifications are laid down in VDE 0623.

These round Plug and Socket Devices are an adequate equivalent of the flat-oval shrouded Plug and Socket devices with 4 poles, 16A to 100A, DIN 49 450/51, and the non-standardized similar devices with 3 poles and strip spring on the casing as earthing contact, and 5 poles (3P + N + E), 10A to 100A, 380V and 500V, which were used in the past.

To prevent a dangerous wrong insertion of a plug into a socket, devices for voltages exceeding 500V have the conventional non-reversibility features such as the key on the plug and keyway on the socket. In addition, the earthing contact pin has a larger diameter than the phase contact pins and the neutral contact pin. This ensures that the earthing contact pin cannot be inserted into a phase or neutral contact bush.

The Plug and Socket device can also be used on different voltages and frequencies ensuring at the same time the required non-reversibility.

The Plug and Socket devices for different clock hour positions can be distinguished at a glance, since parts of the casing of the most common types are differently coloured. The recommended voltage colour coding (see tables) is set forth in VDE 0623.

The 63A and 125A Plug and Socket Devices have an additional auxiliary pole (pilot contact) which opens before the other contacts when the plug is withdrawn and closes after the other contacts when the plug is inserted. This pilot contact serves the electrical interlocking by means of a contactor or the like which is to be inserted into the main circuit ahead of the socket thus permitting an off-voltage operation of the Plug and Socket Device.

Casings and inserts of the CEKON Plug and Socket devices are made of high-quality polyamide ensuring a maximum degree of mechanical strength and insulating property.

For 125A robust cast aluminium-clad range is also available.

The cable entries of the plugs and connectors of the splashproof devices have a pliable cable bush which encloses the cable like a diaphragm seal thus preventing the penetration of moisture and dirt.

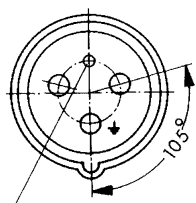
Plugs and connectors of the watertight devices as well as the devices for extra-low voltages have a cone-shaped compression gland with seal in the form of a cable gland.

Two versions of the 16A and 32A splashproof standard devices are available for 380V, 6 o'clock position.

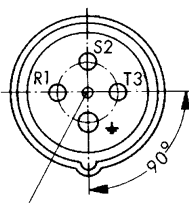
- 1) **Version with non-exchangeable insert:** with red casing, plugs and connectors have a larger cable entry and detachable casing covers within the connection section for ease of installation.
- 2) **Version with exchangeable insert:** also available for other voltages and frequencies.

The non-interlocked CEKON Plug and Socket Devices for 63A and 125A, 380V and 500V, are designed for breaking capacity to VDE 0623, paragraph 20. They can also be delivered with an asterisk on the name plate.

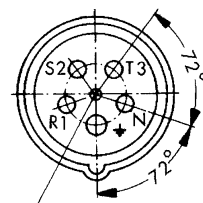
Poles: 2P + E



3P + E



3P + N + E



Position of Pilot Contact for electrical interlocking on 63A and 125A devices.

### For voltages exceeding 50V, DIN 49 462 / 63

Arrangement of contact tubes and terminal designations when viewing the socket outlets from the front, i.e. towards the opening for inserting the plug.

The figures show the 6 o'clock position, i.e. the earthing contact tube over the socket keyway.

### For containers 4-poles and 5-poles Plug and Socket Devices are available at 3 o'clock position.

The 1 o'clock position is reserved for later international assignments. The Reference Data tables (on pages following) refer to the most common voltages and frequencies.

The two last digits of the reference number (i.e. **6h**, or **9h** etc.) show the clock hour position.

Should the devices required for other voltages or frequencies i.e. for another clock hour position, this must be expressly stated in the order and requires special quote on request for items made to order only (please contact our sales office).

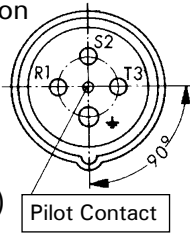
**CEE Industrial Plugs and Connectors, DIN 49 463  
Cast Aluminum Clad, Waterproof**

**125 Amp.**



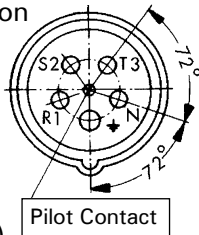
Configuration  
6h shown

3P + E  
3 Poles  
+ Earth  
(Ground)



Configuration  
6h shown

3P + N + E  
3 Poles  
+ Neutral  
+ Earth  
(Ground)



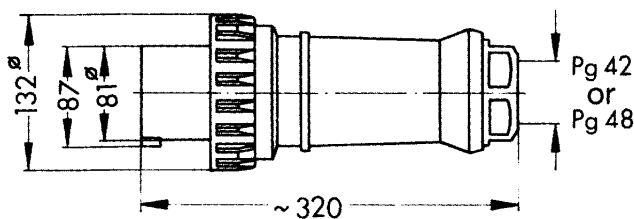
Connectors Type **GWK**

Plugs Type **GWS**

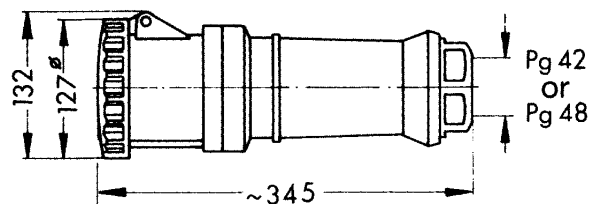
| Ratings, Description             | Catalog No. Plugs              | Catalog No. Connectors         |
|----------------------------------|--------------------------------|--------------------------------|
| <b>Cable Entry PG 42:</b>        | <b>Plugs Type GWS:</b>         | <b>Connectors Type GWK:</b>    |
| 125A, 220-240V, 3P + E, Blue     | <b>412509420</b> – GWS 4125/9h | <b>412509421</b> – GWK 4125/9h |
| 125A, 380-415V, 3P + E, Red      | <b>412506420</b> – GWS 4125/6h | <b>412506421</b> – GWK 4125/6h |
| 125A, 500V, 3P + E, Black        | <b>412507420</b> – GWS 4125/7h | <b>412507421</b> – GWK 4125/7h |
| 125A, 220-240V, 3P + N + E, Blue | <b>512509420</b> – GWS 5125/9h | <b>512509421</b> – GWK 5125/9h |
| 125A, 380-415V, 3P + N + E, Red  | <b>512506420</b> – GWS 5125/6h | <b>512506421</b> – GWK 5125/6h |
| <b>Cable Entry PG 48:</b>        | <b>Plugs Type GWS:</b>         | <b>Connectors Type GWK:</b>    |
| 125A, 220-240V, 3P + E, Blue     | <b>412509480</b> – GWS 4125/9h | <b>412509481</b> – GWK 4125/9h |
| 125A, 380-415V, 3P + E, Red      | <b>412506480</b> – GWS 4125/6h | <b>412506481</b> – GWK 4125/6h |
| 125A, 500V, 3P + E, Black        | <b>412507480</b> – GWS 4125/7h | <b>412507481</b> – GWK 4125/7h |
| 125A, 220-240V, 3P + N + E, Blue | <b>512509480</b> – GWS 5125/9h | <b>512509481</b> – GWK 5125/9h |
| 125A, 380-415V, 3P + N + E, Red  | <b>512506480</b> – GWS 5125/6h | <b>512506481</b> – GWK 5125/6h |

CEE Industrial Plugs and Connectors, DIN 49 463, Cast Aluminum Clad Enclosure,  
Waterproof, 125 Amp. CEKON, Cable entry with special compression gland.  
Terminals: Connectors and Plugs up to 35mm<sup>2</sup>, Pilot Contact up to 10mm<sup>2</sup>.

Dimensions in mm



Plugs Type **GWS** (Weight approx. 2.50 kg)



Connectors Type **GWK** (Weight approx. 2.80 kg)

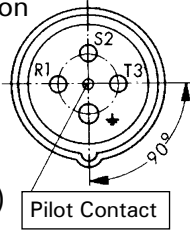
**CEE Industrial Wall Socket Outlets, DIN 49 463  
Cast Aluminum Clad, Waterproof**

**125 Amp.**



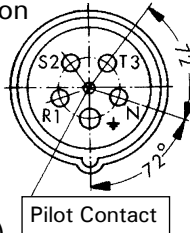
Configuration  
6h shown

3P + E  
3 Poles  
+ Earth  
(Ground)

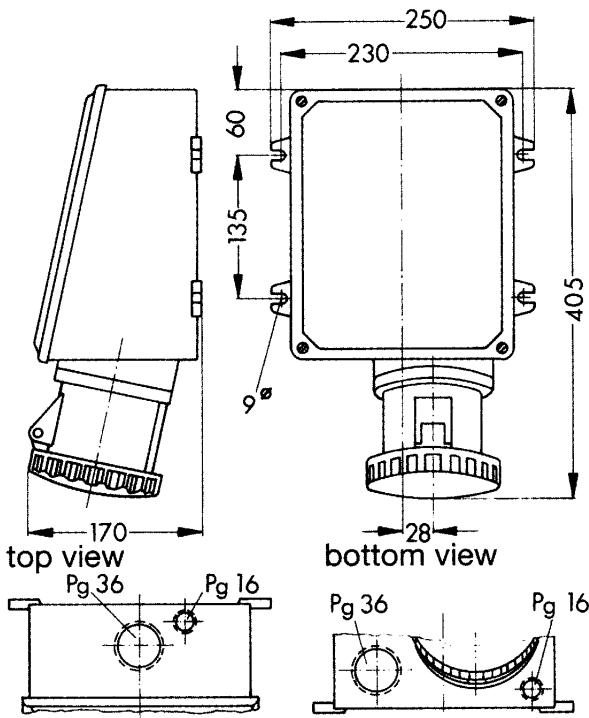


Configuration  
6h shown

3P + N + E  
3 Poles  
+ Neutral  
+ Earth  
(Ground)



| Ratings, Description             | Catalog No. without Fuse      | Catalog No. with Fuse          |
|----------------------------------|-------------------------------|--------------------------------|
| <b>Wall Socket Outlets:</b>      | <b>without Fuse Type GWD:</b> | <b>with Fuse Type GWDS:</b>    |
| 125A, 220-240V, 3P + E, Blue     | <b>41250903</b> – GWD 4125/9h | <b>41250904</b> – GWDS 4125/9h |
| 125A, 380-415V, 3P + E, Red      | <b>41250603</b> – GWD 4125/6h | <b>41250604</b> – GWDS 4125/6h |
| 125A, 500V, 3P + E, Black        | <b>41250703</b> – GWD 4125/7h | <b>41250704</b> – GWDS 4125/7h |
| 125A, 220-240V, 3P + N + E, Blue | <b>51250903</b> – GWD 5125/9h | <b>51250904</b> – GWDS 5125/9h |
| 125A, 380-415V, 3P + N + E, Red  | <b>51250603</b> – GWD 5125/6h | <b>51250604</b> – GWDS 5125/6h |



CEE Industrial Wall Socket Outlets,  
DIN 49 463, Cast Aluminum Clad Enclosure,  
Waterproof, 125 Amp. CEKON.

Terminals: with flat terminals M 8,  
up to 50mm<sup>2</sup>, Pilot Contact up to 10mm<sup>2</sup>.

Top and Bottom 1x PG 36 + PG 16  
(without Flange)

Wall Mounting Socket Outlets

Type **GWD** without Fuse

3P + E (Weight approx. 6.00 kg)

3P + N + E (Weight approx. 6.40 kg)

Type **GWDS** with Fuse

3P + E (Weight approx. 6.40 kg)

3P + N + E (Weight approx. 6.80 kg)

Fused wall socket outlets Type **GWDS** with  
3 pole LV HRC fuse base 125A for cartridges  
DIN 43 620 size 00. Enclosure with screw cover.

Dimensions in mm

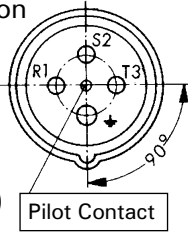
**CEE Industrial Wall Appliance Inlets, DIN 49 463  
Cast Aluminum Clad, Waterproof**

**125 Amp.**



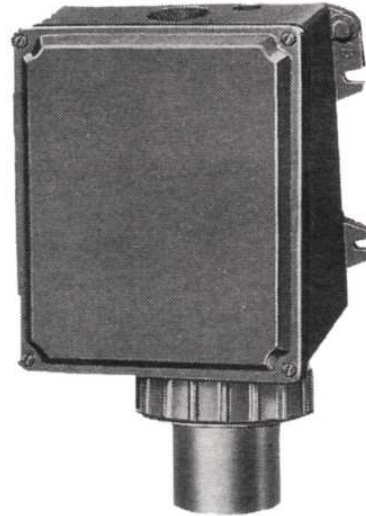
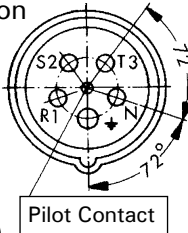
Configuration  
6h shown

3P + E  
3 Poles  
+ Earth  
(Ground)

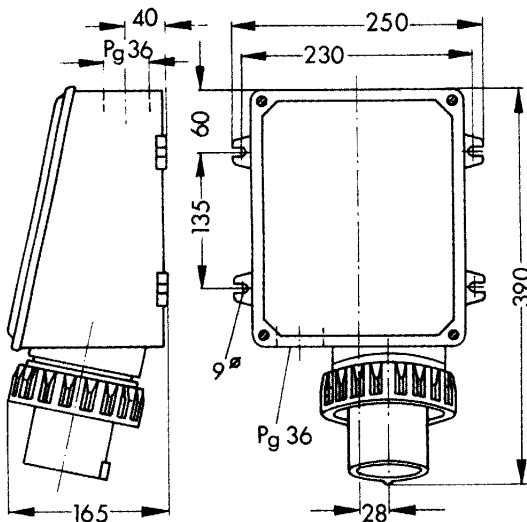


Configuration  
6h shown

3P + N + E  
3 Poles  
+ Neutral  
+ Earth  
(Ground)



| Ratings, Description                   | Catalog No.                   |
|--|-------------------------------|
| <b>Wall Mounting Appliance Inlets:</b> | <b>Type GWG:</b>              |
| 125A, 220-240V, 3P + E, Blue           | <b>41250905</b> – GWG 4125/9h |
| 125A, 380-415V, 3P + E, Red            | <b>41250605</b> – GWG 4125/6h |
| 125A, 500V, 3P + E, Black              | <b>41250705</b> – GWG 4125/7h |
| 125A, 220-240V, 3P + N + E, Blue       | <b>51250905</b> – GWG 5125/9h |
| 125A, 380-415V, 3P + N + E, Red        | <b>51250605</b> – GWG 5125/6h |



*CEE Industrial Wall Mounting Appliance Inlets,  
DIN 49 463, Cast Aluminum Clad Enclosure,  
Waterproof, 125 Amp. CEKON.*


*Terminals: with flat terminals M 8,  
up to 50mm<sup>2</sup>, Pilot Contact up to 10mm<sup>2</sup>.*

*Wall Mounting Appliance Inlets*

**Type GWG**

3P + E (Weight approx. 5.60 kg)  
3P + N + E (Weight approx. 5.95 kg)

*Dimensions in mm*

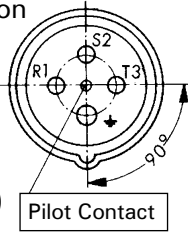
**CEE Industrial Built-In Appliance Inlets, DIN 49 463**  
**Cast Aluminum Clad, Waterproof** 

**125 Amp.**



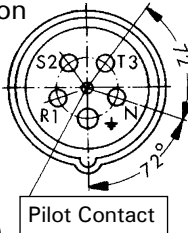
Configuration  
6h shown

3P + E  
3 Poles  
+ Earth  
(Ground)

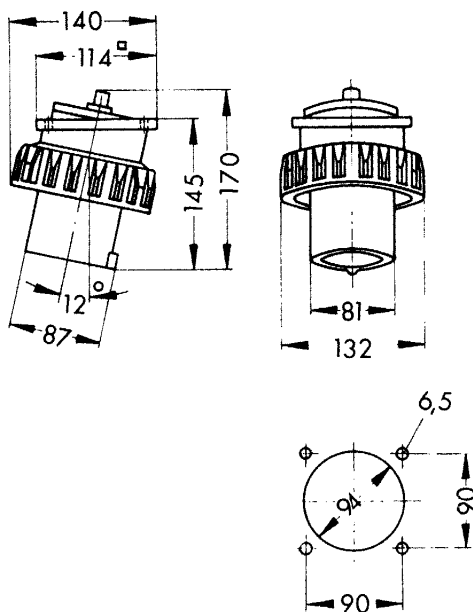


Configuration  
6h shown

3P + N + E  
3 Poles  
+ Neutral  
+ Earth  
(Ground)



| Ratings, Description                     | Catalog No.                   |
|--|-------------------------------|
| <b><i>Built-In Appliance Inlets:</i></b> | <b><i>Type GWB:</i></b>       |
| 125A, 220-240V, 3P + E, Blue             | <b>41250906</b> – GWB 4125/9h |
| 125A, 380-415V, 3P + E, Red              | <b>41250606</b> – GWB 4125/6h |
| 125A, 500V, 3P + E, Black                | <b>41250706</b> – GWB 4125/7h |
| 125A, 220-240V, 3P + N + E, Blue         | <b>51250906</b> – GWB 5125/9h |
| 125A, 380-415V, 3P + N + E, Red          | <b>51250606</b> – GWB 5125/6h |



mounting opening

*CEE Industrial Built-In Appliance Inlets,  
 DIN 49 463, Cast Aluminum Clad Enclosure,  
 Waterproof, 125 Amp. CEKON.*

*Terminals: up to 50mm<sup>2</sup>,  
 Pilot Contact up to 10mm<sup>2</sup>.*

*Built-In Appliance Inlets*

**Type GWB**

3P + E (Weight approx. 1.80 kg)  
 3P + N + E (Weight approx. 1.95 kg)

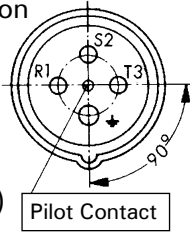
*Dimensions in mm*

**CEE Industrial Surface Mounted Inlets, DIN 49 463  
Cast Aluminum Clad, Waterproof**

**125 Amp. CEKON**

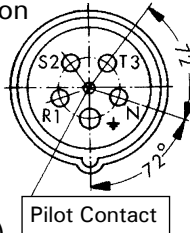
Configuration  
6h shown

3P + E  
3 Poles  
+ Earth  
(Ground)

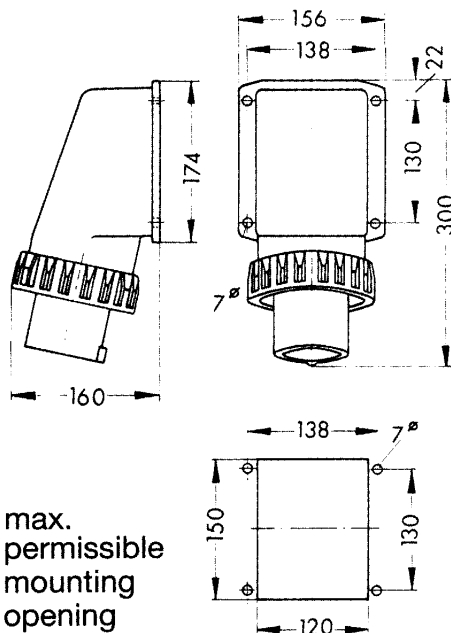


Configuration  
6h shown

3P + N + E  
3 Poles  
+ Neutral  
+ Earth  
(Ground)



| Ratings, Description                     | Catalog No.                           |
|--|---------------------------------------|
| <b>Surface Mounted Appliance Inlets:</b> | <b>for Front Mounting, Type GWBF:</b> |
| 125A, 220-240V, 3P + E, Blue             | <b>41250907</b> – GWBF 4125/9h        |
| 125A, 380-415V, 3P + E, Red              | <b>41250607</b> – GWBF 4125/6h        |
| 125A, 500V, 3P + E, Black                | <b>41250707</b> – GWBF 4125/7h        |
| 125A, 220-240V, 3P + N + E, Blue         | <b>51250907</b> – GWBF 5125/9h        |
| 125A, 380-415V, 3P + N + E, Red          | <b>51250607</b> – GWBF 5125/6h        |



max.  
permissible  
mounting  
opening

*CEE Industrial Surface Mounted Appliance Inlets,  
for Front Mounting, DIN 49 463, Cast Aluminum  
Clad Enclosure, Waterproof, 125 Amp. CEKON.*

*Terminals: up to 50mm<sup>2</sup>,  
Pilot Contact up to 10mm<sup>2</sup>.*

*Surface Mounted Appliance Inlets,  
for Front Mounting*

**Type GWBF**

3P + E (Weight approx. 2.40 kg)  
3P + N + E (Weight approx. 2.55 kg)

*Dimensions in mm*

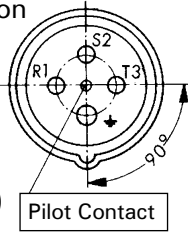
**CEE Industrial Built-In Socket Outlets, DIN 49 463  
Cast Aluminum Clad, Waterproof**

**125 Amp.**



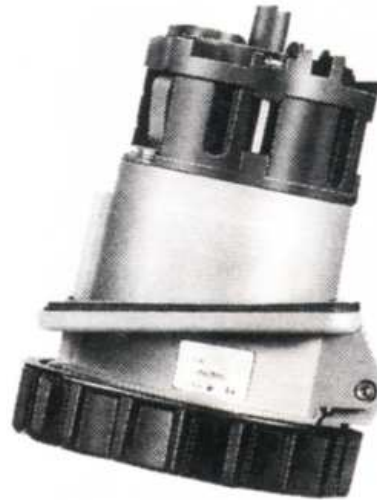
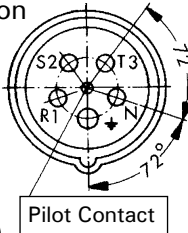
Configuration  
6h shown

3P + E  
3 Poles  
+ Earth  
(Ground)

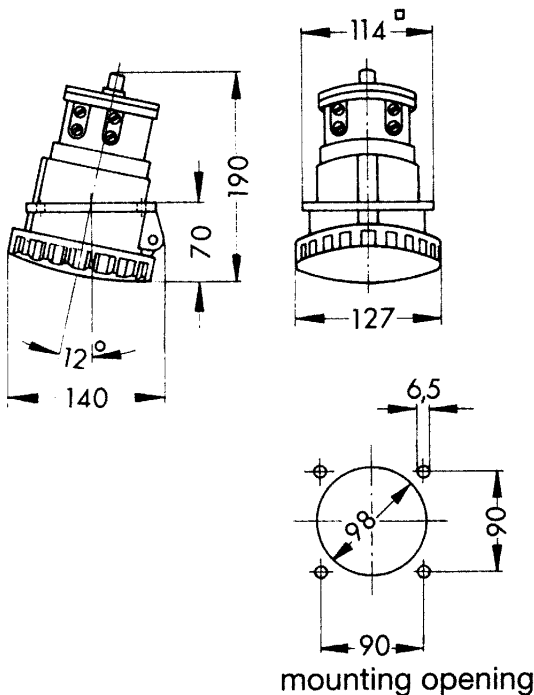


Configuration  
6h shown

3P + N + E  
3 Poles  
+ Neutral  
+ Earth  
(Ground)



| Ratings, Description                   | Catalog No.                   |
|--|-------------------------------|
| <b><i>Built-In Socket Outlets:</i></b> | <b><i>Type GWA:</i></b>       |
| 125A, 220-240V, 3P + E, Blue           | <b>41250908</b> – GWA 4125/9h |
| 125A, 380-415V, 3P + E, Red            | <b>41250608</b> – GWA 4125/6h |
| 125A, 500V, 3P + E, Black              | <b>41250708</b> – GWA 4125/7h |
| 125A, 220-240V, 3P + N + E, Blue       | <b>51250908</b> – GWA 5125/9h |
| 125A, 380-415V, 3P + N + E, Red        | <b>51250608</b> – GWA 5125/6h |



*CEE Industrial Built-In Socket Outlets,  
DIN 49 463, Cast Aluminum Clad Enclosure,  
Waterproof, 125 Amp. CEKON.*


*Terminals: up to 50mm<sup>2</sup>,  
Pilot Contact up to 10mm<sup>2</sup>.*

*Built-In Socket Outlets*

**Type GWA**

3P + E (Weight approx. 1.80 kg)  
3P + N + E (Weight approx. 1.92 kg)

*Dimensions in mm*

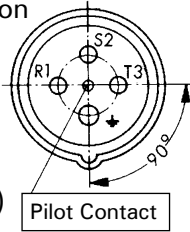
**CEE Industrial Surface Mounted Sockets, DIN 49 463**  
**Cast Aluminum Clad, Waterproof** 

**125 Amp.**



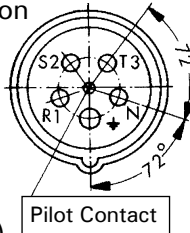
Configuration  
6h shown

3P + E  
3 Poles  
+ Earth  
(Ground)

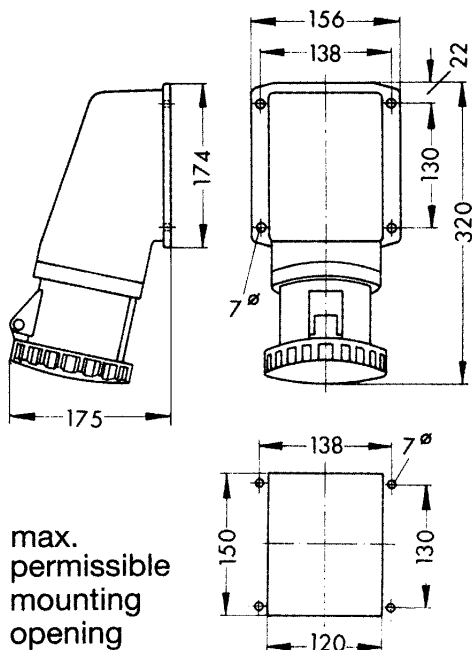


Configuration  
6h shown

3P + N + E  
3 Poles  
+ Neutral  
+ Earth  
(Ground)



| Ratings, Description                   | Catalog No.                           |
|--|---------------------------------------|
| <b>Surface Mounted Socket Outlets:</b> | <b>for Front Mounting, Type GWAF:</b> |
| 125A, 220-240V, 3P + E, Blue           | <b>41250909</b> – GWAF 4125/9h        |
| 125A, 380-415V, 3P + E, Red            | <b>41250609</b> – GWAF 4125/6h        |
| 125A, 500V, 3P + E, Black              | <b>41250709</b> – GWAF 4125/7h        |
| 125A, 220-240V, 3P + N + E, Blue       | <b>51250909</b> – GWAF 5125/9h        |
| 125A, 380-415V, 3P + N + E, Red        | <b>51250609</b> – GWAF 5125/6h        |



*CEE Industrial Surface Mounted Socket Outlets, for Front Mounting, DIN 49 463, Cast Aluminum Clad Enclosure, Waterproof, 125 Amp. CEKON.*

*Terminals: up to 50mm<sup>2</sup>, Pilot Contact up to 10mm<sup>2</sup>.*

*Surface Mounted Socket Outlets, for Front Mounting*

**Type GWAF**

3P + E (Weight approx. 2.70 kg)  
 3P + N + E (Weight approx. 2.85 kg)

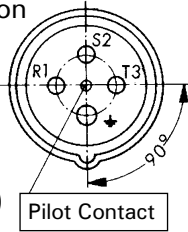
*Dimensions in mm*

## CEE Industrial Wall Mounted Interlocks, DIN 49 463 Cast Aluminum Clad, Waterproof

## 125 Amp.

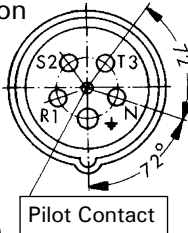
Configuration  
6h shown

3P + E  
3 Poles  
+ Earth  
(Ground)



Configuration  
6h shown

3P + N + E  
3 Poles  
+ Neutral  
+ Earth  
(Ground)



CEE Industrial Interlocked Switched Wall Mounted Socket Outlets, with Mechanical Plug Interlocking, with 3 Pole Cam Switch and Front Drive, Breaking Capacity: at 380V and 500V  $\cos \varphi 0.4 = 8 \times I_n$ , not suitable for DC, DIN 49 463, Cast Aluminum Clad Enclosure, Waterproof, 125 Amp. CEKON.

Fused interlocked switched wall socket outlets Type **GDAPS** with 3 pole LV HRC fuse base 125A for cartridges DIN 43 620 size 00. The fuse base is located in a top-mounted special casing with hinged cover.

| Ratings, Description                             | Catalog No. without Fuse       | Catalog No. with Fuse           |
|--|--------------------------------|---------------------------------|
| <b>Interlocked Switched Wall Socket Outlets:</b> | <b>without Fuse Type GDAP:</b> | <b>with Fuse Type GDAPS:</b>    |
| 125A, 220-240V, 3P + E, Blue                     | <b>41250910</b> – GDAP 4125/9h | <b>41250911</b> – GDAPS 4125/9h |
| 125A, 380-415V, 3P + E, Red                      | <b>41250610</b> – GDAP 4125/6h | <b>41250611</b> – GDAPS 4125/6h |
| 125A, 500V, 3P + E, Black                        | <b>41250710</b> – GDAP 4125/7h | <b>41250711</b> – GDAPS 4125/7h |
| 125A, 220-240V, 3P + N + E, Blue                 | <b>51250910</b> – GDAP 5125/9h | <b>51250911</b> – GDAPS 5125/9h |
| 125A, 380-415V, 3P + N + E, Red                  | <b>51250610</b> – GDAP 5125/6h | <b>51250611</b> – GDAPS 5125/6h |

Interlocked Switched Wall Mounted Socket Outlets  
Type **GDAP** without Fuse

3P + E (Weight approx. 10.20 kg)  
3P + N + E (Weight approx. 10.60 kg)

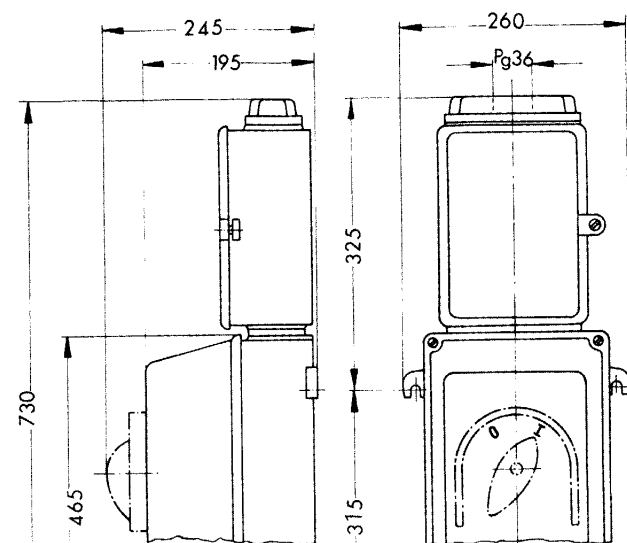
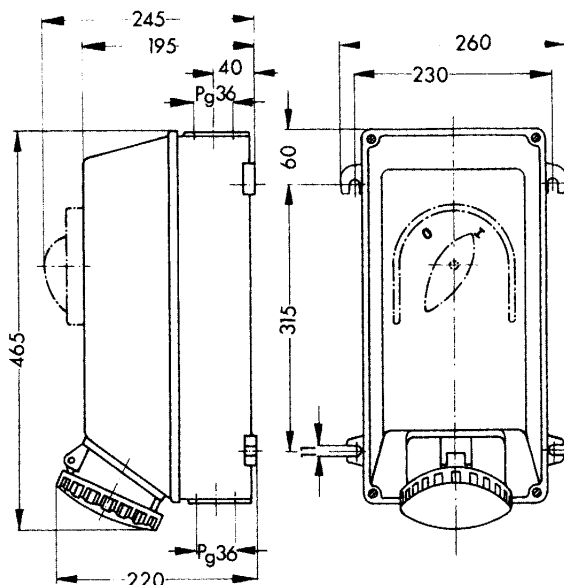
Type **GDAPS** with Fuse

3P + E (Weight approx. 13.50 kg)  
3P + N + E (Weight approx. 13.90 kg)

Terminals: up to 50mm<sup>2</sup>, Pilot Contact up to 10mm<sup>2</sup>.

**Please Note:** Interlocked switched wall socket outlets with knife switch (lateral drive) Type **GDAM** without, and Type **GDAMS** with fuse bases are obsolete.

**Use these Type GDAP/GDAPS cam switch (front drive)**



Dimensions in mm