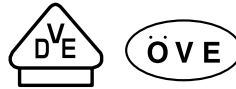


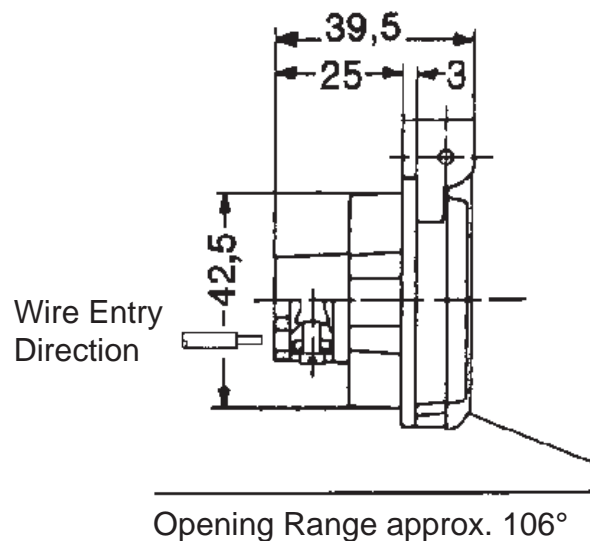
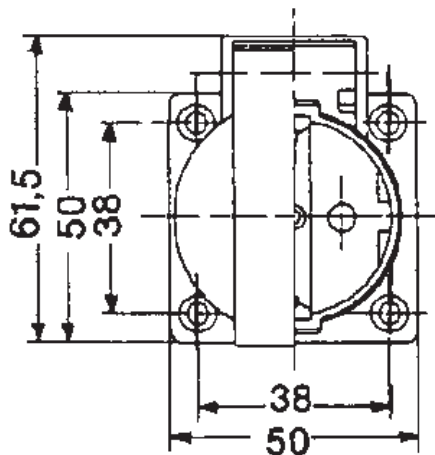
## Germany / Austria Flange Mounting SCHUKO Receptacles, IP44

- SCHUKO, 2-Poles 3-Wire Grounding
- 16 Amp, 250 Volts AC
- according DIN 49440
- Thermoplast, Standard Colors: Black, Red, Blue, Grey
- Flange Mounting
- IP44 Rating
- Screw Terminals
- Optional Gasket available



1461050

| Catalog No.    | Color | Description   | Weight/ea | VPE/Pack | EDP-No.       |
|----------------|-------|---|-----------|----------|---------------|
| <b>1461000</b> | Black | Flange Mounting Receptacle, IP44                          | 38 g      | 100      | <b>106394</b> |
| <b>1461040</b> | Red   | Flange Mounting Receptacle, IP44                          | 38 g      | 200      | <b>120563</b> |
| <b>1461050</b> | Blue  | Flange Mounting Receptacle, IP44                          | 38 g      | 200      | <b>120564</b> |
| <b>1461060</b> | Grey  | Flange Mounting Receptacle, IP44                          | 38 g      | 100      | <b>120565</b> |
| <b>8632316</b> | Black | Gasket for Series 1361, 1362, 1461, 1462, CZ, SEV, and UL | 3 g       | 500      | <b>119148</b> |



To learn more about B-I-A please visit us at our  
WEB site: [www.BiaGmbH.com](http://www.BiaGmbH.com)

