

3-Pin Molded Adaptor Plugs

USA, Canada, Japan, Taiwan etc.
to Germany, Australia or IEC

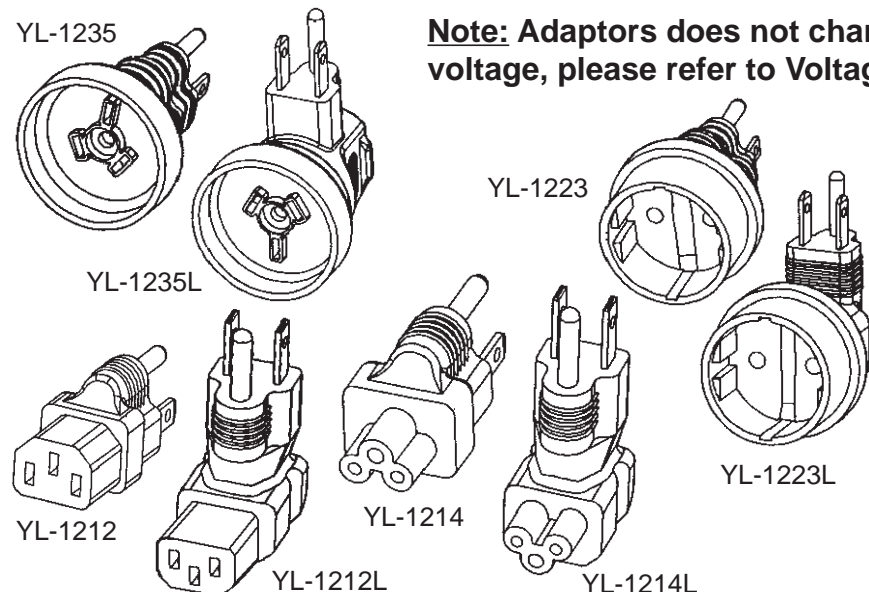
Molded Adaptor Plugs with earthing contact,
from USA / Canada / Japan / Taiwan etc. socket
outlet NEMA 5-15R with earthing contact to:

- YL-1212* IEC 60320/C13 female connector
- YL-1214* IEC 60320/C5 female connector
- YL-1223* German SCHUKO socket outlet
- YL-1235* Australia / New Zealand socket outlet

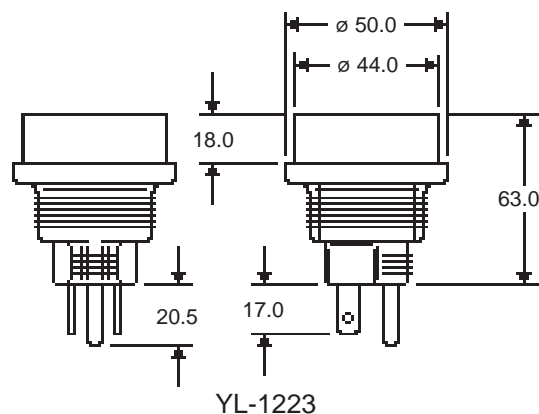


* Angle adaptors available, add suffix „L“ to catalog no. e.g. YL-1212L.

Catalog No.	Color	Description	Weight/ea	VPE/Pack	EDP-No.
YL-1212	Black	Adaptor NEMA 5-15P : IEC 60320/C13	67 g	100	121448
YL-1214	Black	Adaptor NEMA 5-15P : IEC 60320/C5	64 g	100	121449
YL-1223	Black	Adaptor NEMA 5-15P : CEE7 Schuko	81 g	100	118682
YL-1235	Black	Adaptor NEMA 5-15P : AS/NZS 3112	77 g	100	121450



Note: Adaptors does not change voltage. If you need to change voltage, please refer to Voltage Converters in [Document No. 8081](#)



To learn more about B-I-A please visit us at our
WEB site: www.BiaGmbH.com



2-Pin Molded Adaptor Plugs USA, Canada, Japan, Taiwan etc. to IEC 60320/C7 or Euro

Molded Adaptor Plugs without earthing contact, from USA / Canada / Japan / Taiwan etc. socket outlet NEMA 1-15R without earthing contact to:

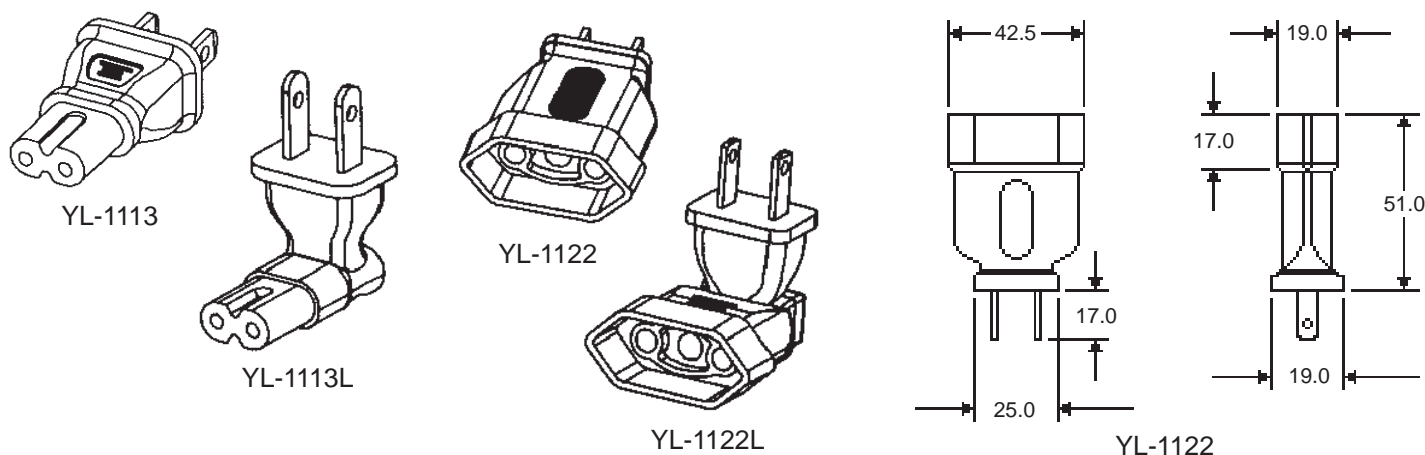
YL-1113* IEC 60320/C7 female connector
YL-1122* Euro socket outlet



* Angle adaptors available, add suffix „L“ to catalog no. e.g. YL-1122L.

Catalog No.	Color	Description	Weight/ea	VPE/Pack	EDP-No.
YL-1113	Black	Adaptor NEMA 1-15P : IEC 60320/C7	19 g	100	121447
YL-1122	Black	Adaptor NEMA 1-15P : CEE7 Europlug	27 g	100	119174

Note: Adaptors does not change voltage. If you need to change voltage, please refer to Voltage Converters in [Document No. 8081](#)



To learn more about B-I-A please visit us at our
WEB site: www.BiaGmbH.com

