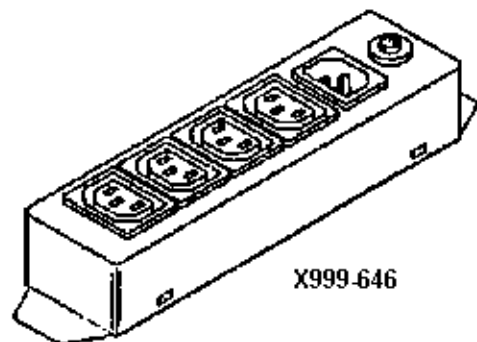


4250-6



X999-646

## OUTLET STRIPS

All items are UL or UR Listed and CSA certified

4250-6 is provided with a 6' (1.83m) SJT 14/3 cord with a NEMA L6-15P twist lock plug 15A 250V AC and with four 15A 250V AC outlets NEMA 6-15R.

X999-646 has 4 IEC 320 outlets & 1 male inlet. Features a 10A circuit breaker

X999-770 has 6 IEC 320 outlets & 1 male inlet. Features a 10A circuit breaker

Catalog No.	No.of Outlets	Description	Wght/ea	UPE/Pack	EDP-No
4250-6	4	15A at 250V AC, Mounting Centers: 261.9mm	895g	3	116362
X999-646	4 Female 1 Male (IEC)	10A at 250V AC, 50/60 Hz, 10A Circuit Breaker	685g	6	116363
X999-770	6 Female 1 Male (IEC)	10A at 250V AC, 50/60 Hz, 10A Circuit Breaker	915g	6	116364