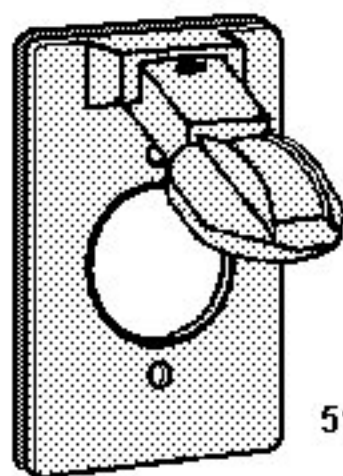




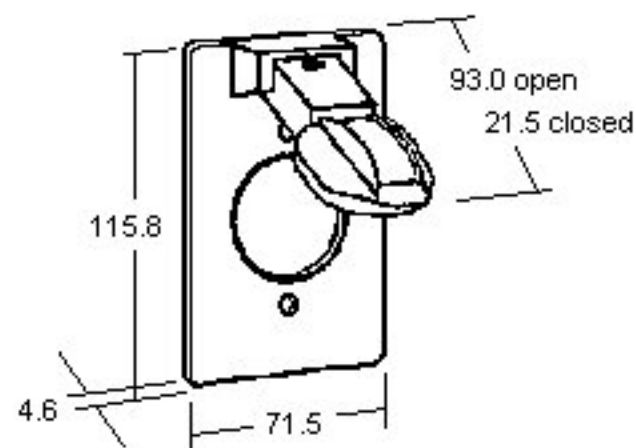
Homepage <http://www.BiaGmbH.com> Email info@BiaGmbH.com Document 2580



Dimensions = mm



5155-0



SINGLE-GANG DIE CAST DEVICE COVER

- Mount cover with hinge on top.
- Supplied with gasket and mounting screws.
- Remove appropriate device cutout on gasket.
- Used with One Single Receptacle 1.406" (35.7mm) or Toggle Switch.
- Listed 22FO Flush Device Cover Wet Locations with Cover Closed

Use clauking around cover if not mounted to a U.L. listed wet locations box.

Catalog Number	Color	Description	Wght/ea	UPE/Pack	EDP-No
5155-0	Gray	Vertical Device Mount Cover	129g	24	120018