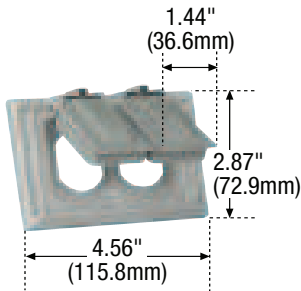
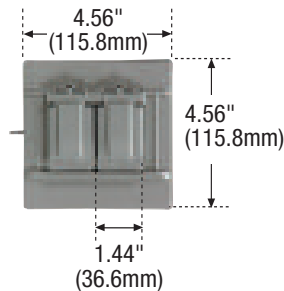


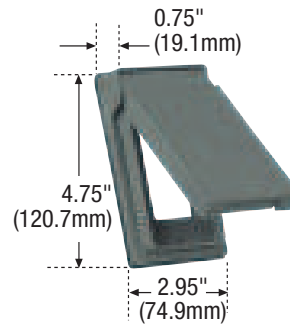
USA / Canada - Plastic Weather Protective Covers



S1952



S1954



S2966

Plastic Weather Protective Covers

- 1-Gang Self-Closing**
- 1-Gang Switch Cover**
- 1-Gang Stay Open**

Plastic Weather Protective Covers – Wet Locations

FEATURES

- UL Listed for wet locations with cover closed.
- Tough plastic construction resistant to high impact and sunlight.
- Protects against rain, snow and ice.
- Non-metallic, non-corrosive and non-conductive.
- Gasket provided seals both device openings and edges.

1-Gang Self-Closing Lids

Description	Mounting	Color	Catalog No.
Single Receptacle	Horizontal	Gray	S1951
		White	S1951W
Duplex Receptacle/Combination Device 2 Self-Closing Lids	Horizontal	Gray	S1952
		White	S1952W
Oversize Duplex Receptacle/Combination Device	Horizontal	Gray	S1954*
Duplex Receptacle	Vertical	Gray	S2962
		White	S2962W
Duplex Receptacle	Horizontal	Gray	S3962
		White	S3962W
GFCI/Decorator	Vertical	Gray	S2966
		White	S2966W
GFCI/Decorator	Horizontal	Gray	S3966
		White	S3966W
20A & 30A Locking Receptacle 1.59" (40.39mm) Dia. Opening	Horizontal	Gray	S3963*

*Not CSA

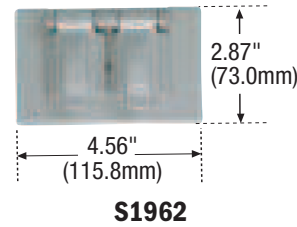
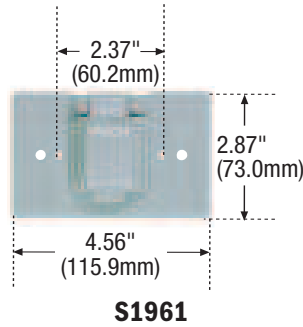
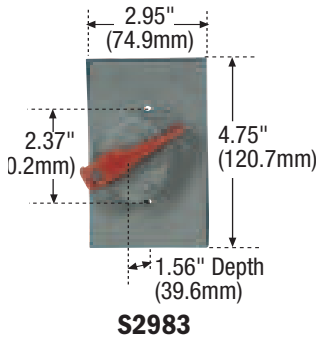
TESTING & CODE COMPLIANCE

- UL Listed, (file no. E33216)
Meet all UL 514D requirements.
- CSA Certified, (file no. 9292 (4413-02)), except as noted.
Meet all CSA requirements, C22.2 no. 42.1.

MATERIAL CHARACTERISTICS

Environmental:
Meets flammability requirements per UL 94, VO rated.
Switch covers:
V2 rated.
Temperature Rating:
-20°C to 60°C., except 1961 & 1962 series:
-40°C to 70°C.

USA / Canada - Plastic Weather Protective Covers



Plastic Weather Protective Covers

- 1-Gang Self-Closing
- 1-Gang Switch Cover
- 1-Gang Stay Open

Plastic Weather Protective Switch Cover – Wet Locations

FEATURES

- Switch lockable in “on” or “off” position.
- Red switch handle for easy locating.
- Factory-attached gasket to cover minimizes labor for installer.

1-Gang Switch Cover

Description	Mounting	Color	Catalog No.
1-Gang Flush Mount Switch Cover	Vertical	Gray	S2983

Plastic Protective Covers

FEATURES

- Not for use in wet locations.
- Tough plastic construction resistant to high impact.
- Keeps out dust and debris.
- Non-metallic, non-corrosive and non-conductive.
- Gasket provided seals both device and openings and edges.

1-Gang Stay Open Lids

Description	Mounting	Color	Catalog No.
Single Receptacle	Horizontal	Gray	S1961
		White	S1961W
Duplex Receptacle/Combination Device	Horizontal	Gray	S1962
		White	S1962W

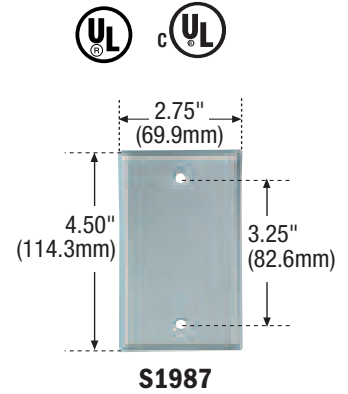
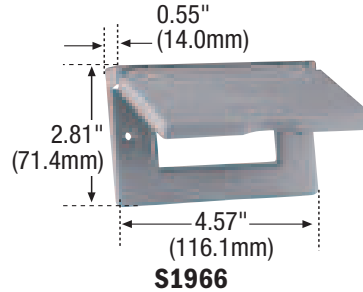
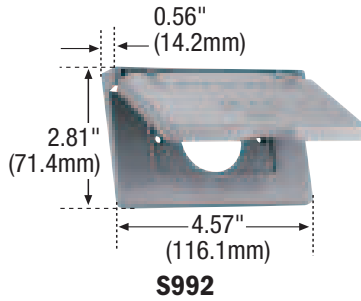
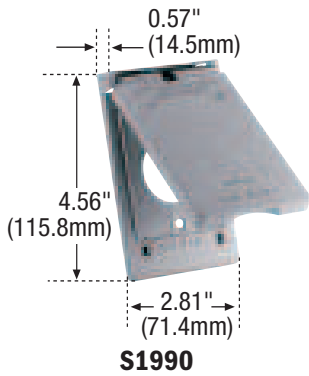
TESTING & CODE COMPLIANCE

- UL Listed, (file no. E33216) Meet all UL 514D requirements.
- CSA Certified, (file no. 9292 (4413-02)), except as noted. Meet all CSA requirements, C22.2 no. 42.1.

MATERIAL CHARACTERISTICS

Environmental: Meets flammability requirements per UL 94, VO rated.
 Switch covers: V2 rated.
 Temperature Rating: -20°C to 60°C., except 1961 & 1962 series: -40°C to 70°C.

USA / Canada - Metal Weather Protective Covers



Metal Weather Protective Covers

1- & 2-Gang Self-Closing
1-Gang Blank

TESTING & CODE COMPLIANCE

- UL514A (file no. E103697) and cUL (file no. E103697) Listed, except 1987: UL Listed to UL504G. CSA (file no. LR81762).
- Meets all CSA requirements C22.2 no. 42.

Metal Weather Protective Covers – Wet Locations

FEATURES

- UL Listed for wet locations with cover closed.
- Heavy duty metal construction.
- Protects against rain, snow and ice.
- Gasket provided seals both device openings and edges.
- Electrostatically painted with a baked, weather-resistant powder coat finish for exceptional durability.

1-Gang Self-Closing Lids

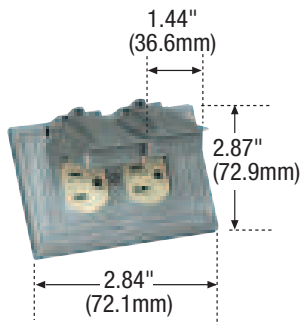
Description	Mounting	Color	Catalog No.
Single Receptacle	Vertical	Gray	S1990
Single Receptacle	Horizontal	Gray	S992
Duplex Receptacle	Vertical	Gray	S994
Duplex Receptacle, 2 Self-Closing Lids	Horizontal	Gray	S989
GFCI/Decorator Receptacle	Vertical	Gray	S966
GFCI/Decorator Receptacle	Horizontal	Gray	S1966
20A and 30A Locking Receptacles 1.625" (41.27mm) diameter opening	Vertical	Gray	S993

1-Gang – Blank

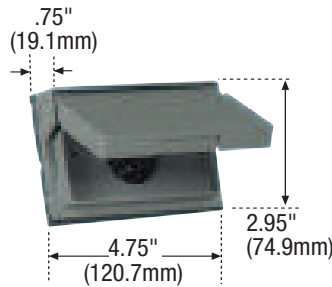
Description	Mounting	Color	Catalog No.
Blank Wallplate	Horizontal or Vertical	Gray	S1987*

*Not CSA Certified

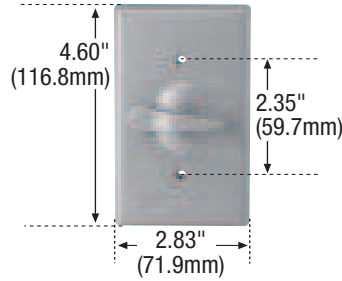
USA / Canada - Weather Protective Covers with Devices



1986



S3999



S983



5-15P



5-15R

Weather Protective Covers with Devices

Duplex Receptacle, Motor Base Inlet, Switches

Weather Protective Covers with Devices

FEATURES

- UL Listed for wet locations.
- Covers with devices come ready for outdoor installation.
- Protects against rain, snow and ice.
- Gasket provided seals both openings and edges.

Plastic Cover with Duplex Receptacle

Receptacle Rating

A	V	NEMA	Description	Mounting	Color	Catalog No.
15	125	5-15R	Duplex Receptacle #270 - Weatherproof Cover #1952	Horizontal	Gray	1986

Plastic Cover with Motor Base Inlet

Inlet Rating

A	V	NEMA	Description	Mounting	Color	Catalog No.
15	125	5-15P	Motor Base Inlet #5278 - Weatherproof Cover # 3963	Horizontal	Gray	S3999**

** Not CSA certified.

Metal Cover with Switch

Switch Rating

Switch Rating	Description	Mounting	Color	Catalog No.
10A, 125V "T"; 5A, 250V/AC	Single Pole Toggle Switch with Metal Switch Cover	Vertical	Gray	S983#
	3-Way Toggle Switch with Metal Switch Cover	Vertical	Gray	S984#

UL and cUL listed.

TESTING & CODE COMPLIANCE

- 1986: Consists of weatherproof cover and 270 Receptacle. Cover meets all UL514D requirements (file no. E33216) and receptacle meets all 498 requirements (file no. E15058).
- 3999: Meets all UL498 and 514D requirements (file no. E15012).
- 983 and 984: Meet all UL20 and 514D requirements (file no. E103697).

MATERIAL CHARACTERISTICS

Meets flammability requirements per UL 94, 1986 and 986: VO rated. Temperature Rating: -20°C to 60°C. 983 & 984: -40°C to 65°C.