



# MicroStat™ Status Indicator

Model MSL

## COMPACT STATUS INDICATOR IN WATER-TIGHT ENCLOSURE

- Factory assembled
- Small footprint — only 2.2" diameter (55.9 mm)
- Vibration-resistant 5.6W wedge lamp
- Available in 24VAC/DC or 120/240VAC
- Surface mount and integrated 3/4" pipe mount
- UL Listed, CSA Certified, CE Compliant (24VAC/VDC)
- NEMA 4X, IP65 enclosure
- Optional Sound Module, L.E.D. Lamp, and Pipe Mount Base

The Federal Signal MicroStat™ is a compact, NEMA 4X status indicator. Ideal for OEM applications, the MicroStat comes pre-assembled as 1-, 2-, 3-, 4-, or 5-high light units. The user selects combinations from five colors (amber, blue, clear, green and red). O-rings between each segment provide a water-tight and dust-tight seal. The MicroStat is available in three voltages (24VAC/DC, 120VAC and 240VAC) and the base of each light can be surface or pipe mounted (3/4-inch NPT).

The lenses lock together and snap apart with a simple twisting motion, allowing for easy lamp changes and quick lens resequencing. A rugged vibration-resistant, thick-filament wedge lamp fills each lens with light, providing excellent optical performance.

Wire connections are made through a 2-piece terminal block. The MicroStat is designed to work with PLC outputs including "Triacs".

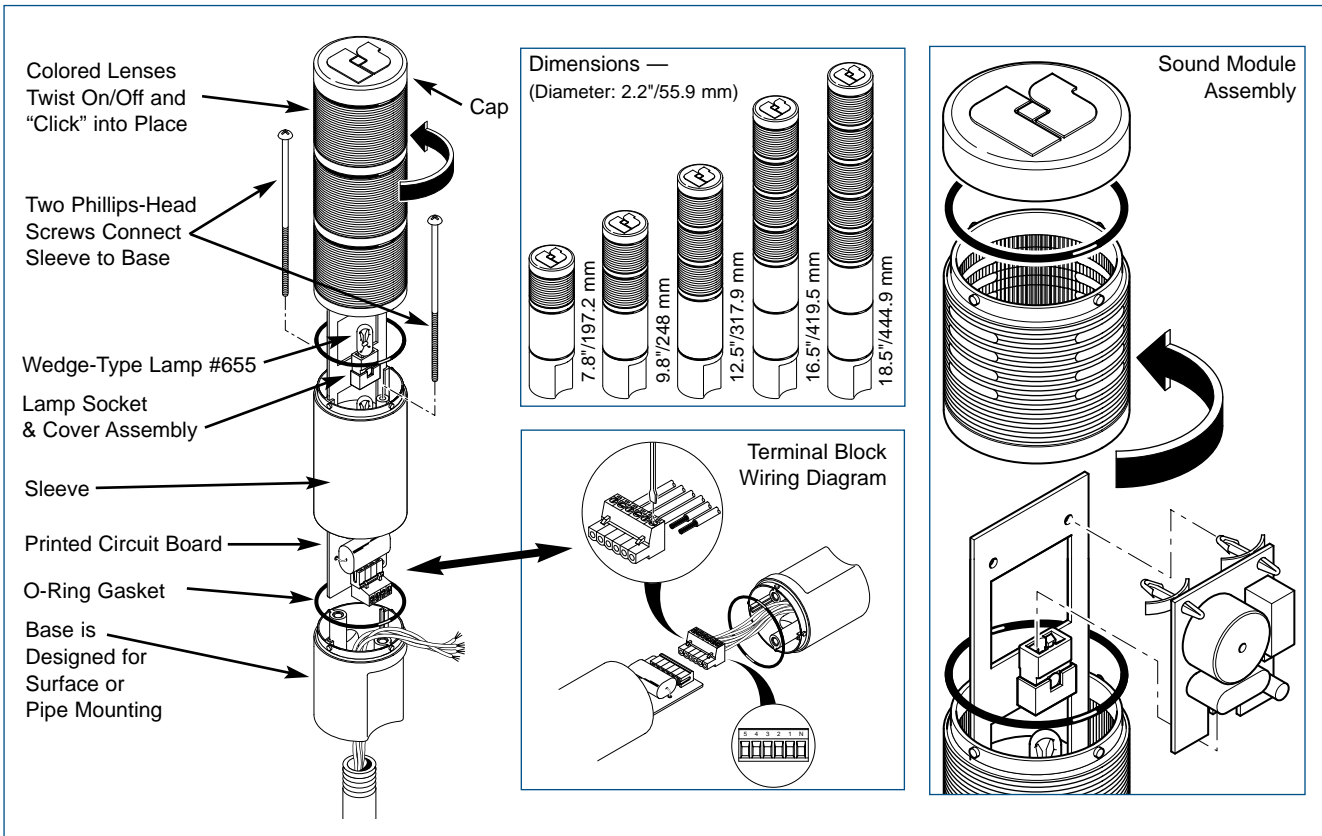
An optional 100,000-hour L.E.D. light source is available in six colors (amber, blue, clear, green, red and super bright green). This lamp, made of surface mounted L.E.D.s, plugs directly into the same socket as the standard lamp.

An optional sound module can be installed in the top position of any MicroStat. The Sound Module Kit (MSS) consists of a slotted grille and board-mounted piezoelectric horn. The sounder plugs directly into the wedge socket.



Description	Lens Colors Included	Operating Current	Voltage
<b>1 High</b>	Specify 1 color	0.2A	All MSLs
<b>2-High</b>	Specify desired combination	0.4A	available in
<b>3-High</b>	All 5 colors included	0.6A	24VAC/DC,
<b>4-High</b>	All 5 colors included	0.8A	120VAC &
<b>5-High</b>	All 5 colors included	1.0A	240VAC

### MICROSTAT™ STATUS INDICATOR (MSL)



### SPECIFICATIONS

Lamp Life*:	7,000 Hours	7,000 Hours
Operating Temperature:	-32°F to 120°F	-36°C to 49°C
Lamp Style:	Wedge-Type Lamp #655	
Net Weight:	1-high 0.4 lbs.	0.18 kg
	2-high 0.55 lbs.	0.25 kg
	3-high 0.65 lbs.	0.29 kg
	4-high 0.85 lbs.	0.39 kg
	5-high 1.0 lbs.	0.45 kg
Ship. Weight:	1-high 0.7 lbs.	0.32 kg
	2-high 0.85 lbs.	0.39 kg
	3-high 1.3 lbs.	0.59 kg
	4-high 1.5 lbs.	0.68 kg
	5-high 1.65 lbs.	0.75 kg

\* Optimal hours under ideal conditions.

### HOW TO ORDER

- Determine number of status segments required (including optional sounder)
- Specify Model MSL1, MSL2, MSL3, MSL4, MSL5
- Specify colors for MSL1 and MSL2
- Specify voltage
- Specify options (see document # 5134)

### REPLACEMENT PARTS

Description	Part Number	Description	Part Number
Lens, Amber	K8447042A	Terminal Block (3 position)	K140373A-03
Lens, Clear	K8447042A-02	Terminal Block (4 position)	K140373A-04
Lens, Red	K8447042A-04	Terminal Block (6 position)	K140373A-06
Lens, Blue	K8447042A-01	Flasher (024VDC)	K8285237A
Lens, Green	K8447042A-03	Flasher (120VAC)	K8285239A
Wedge Lamp (#655)	K8107185A	O-Ring	K8447054B