



# Electraflash® Flashing Lights

## Model 141

### DESIGNED FOR INDUSTRIAL OR VEHICULAR USE

- Available in 12VDC, 24VDC, and 36VDC, and 120VAC
- Five dome colors
- Surface mount or integrated 1/2-inch pipe mount
- UL Listed, CSA Certified
- NEMA 3R, IP41 enclosure



Federal Signal's Electraflash® Model 141 is an economical incandescent flashing light. The Electraflash is less than six inches high and six inches in diameter. It is available in five impact-resistant fresnel dome colors: amber, blue, clear, green and red. The 120VAC model is UL (Underwriters Laboratories) Listed and CSA (Canadian Standards Association) Certified.

The Model 141 is available in 12VDC, 24VDC, 36VDC and 120VAC. This light consists of a flasher unit with an incandescent bayonet lamp secured to its base (screw-in type lamp in 120VAC only).

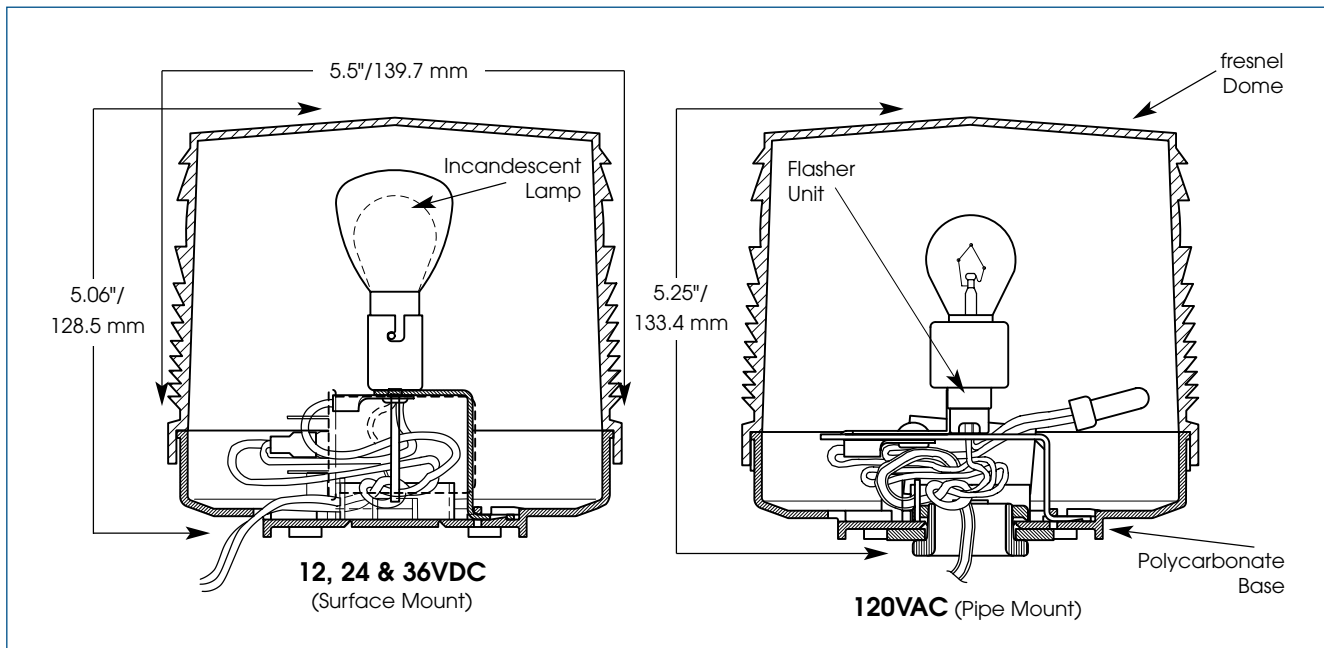
The 12, 24 and 36VDC units each provide three holes for easy flat surface mounting. The 120VAC unit is ready to mount on a 1/2-inch pipe. Optional mounting brackets are available for the 120VAC unit, including the [Model LWMB2](#) wall mount bracket and the [Model LCMB2](#) corner mount bracket.

Federal Signal's economical flashing lights are designed for both indoor and outdoor environments. Model 141's convenient size and intense light output are ideal for maintenance vehicles, fork lifts, and other material handling equipment. The Electraflash can effectively identify hazardous conditions or dangerous areas.

Federal Signal's Electraflash is a compact warning light designed specifically for use in light-duty industrial applications.

Model	Voltage	Operating Current	Flash Rate/Minute	Candlepower	Mount
141	12VDC	3.00 amps	70	325	Surface
141	24VDC	0.90 amps	70	125	Surface
141	36VDC	0.60 amps	70	200	Surface
141	120VAC 50/60Hz	0.38 amps	70	275	1/2" Pipe

### ELECTRAFLASH® FLASHING LIGHT (141)



### SPECIFICATIONS

Lamp Life*:		
12VDC - Incandescent	1,000 Hours	1,000 Hours
24VDC - Incandescent	7,000 Hours	7,000 Hours
36VDC - Incandescent	500 Hours	500 Hours
120VAC - Incandescent	7,000 Hours	7,000 Hours
Operating Temperature:		
DC Versions	-31°F to 150°F	-35°C to 66°C
Net Weight:		
DC Versions	0.8 lbs.	0.4 kg
AC Version	1.0 lb.	0.5 kg
Shipping Weight:		
DC Versions	1.1 lbs.	0.5 kg
AC Version	1.3 lbs.	0.6 kg
Height:		
DC Versions	5.06"	128.5 mm
AC Version	5.25"	133.4 mm
Diameter:		
DC Versions	5.5"	139.7 mm
AC Version	5.5"	139.7 mm

\* Optimal hours under ideal conditions.

### HOW TO ORDER

- Specify model, voltage and color
- Specify options (120VAC only):  
[Corner Bracket \(LCMB2\)](#)  
[Wall Bracket \(LWMB2\)](#)

### REPLACEMENT PARTS

<u>Description</u>	<u>Part Number</u>	<u>Description</u>	<u>Part Number</u>
Dome, Amber	K8263073A	Incandescent Lamp (36VDC)	K8263078A
Dome, Blue	K8263073A-01	Incandescent Lamp (120VAC)	K8107181A
Dome, Clear	K8263073A-03	Flasher (12VDC)	K8263A083A
Dome, Green	K8263073A-04	Flasher (24VDC & 36VDC)	K8285237A
Dome, Red	K8263073A-02	Flasher (120VAC)	K8285238A
Incandescent Lamp (12VDC)	K8107212A	Pipe Mount Kit	K8263093A
Incandescent Lamp (24VDC)	K8107213A		