

## Model FB2PST and FB2PST-I Fireball® Strobe Warning Light

### LIGHT DUTY STROBE LIGHT

- Available in 12-24VDC, 120VAC and 240VAC
- Six dome colors
- 10,000 hour strobe tube
- Integrated 1/2-inch pipe and surface mount
- UL and cUL Listed, CSA Certified for indoor/outdoor use
- Type 4X, IP66 enclosure



Catalog Number	Description	Operating Current	Flash Rate/Minute	Candlepower		Wght/ea
				Peak <sup>1</sup>	ECP <sup>2</sup>	
FB2PST-012-024*	Strobe, 12-24VDC	1.70-0.70 amps	80	1,000,000	300	702 g
FB2PST-I-024*	Strobe, 24VDC, in-rush limited	0.70 amps	80	1,000,000	300	702 g
FB2PST-120*	Strobe, 120VAC 50/60Hz	0.25 amps	90	1,000,000	300	702 g
FB2PST-240*	Strobe, 240VAC 50/60Hz	0.20 amps	90	1,000,000	300	702 g

\* Add color option to catalog number: A = Amber, B = Blue, C = Clear, G = Green, M = Magenta, R = Red

<sup>1</sup> Peak candlepower is the maximum light intensity generated by a flashing light during its light pulse

<sup>2</sup> ECP (Effective Candlepower) is the intensity that would appear to an observer if the light were burning steadily

One of the brightest and most compact strobe light, Fireball® emits a powerful „lightning bolt“ flash of light. Approximately five inches tall and four inches in diameter and rated at 300 effective candlepower, the Fireball® is an economical solution to a wide variety of stationary and vehicular warning requirements. The Fireball® is available in 12-24VDC, 24VDC, 120VAC and 240VAC. All models are UL Listed and CSA Certified. The FB2PST is available in six colors – amber, blue, clear, green, magenta, and red.

The Fireball® features a unique dome that twists off easily for quick dome and lamp replacements. The newly redesigned base features an integrated 1/2-inch pipe mount base as well as the three holes required for surface mount configurations. Black epoxy paint is electrostatically applied to the base for superior corrosion resistance. The Fireball® dome and base design provides a watertight, dust-tight and corrosion resistant Type 4X rating.

The 24VDC Model FB2PST-I features a voltage in-rush limiting PCB design that provides greater compatibility with factory automation control systems and less electrical interference with in-rush sensitive devices.

The FB2PST is designed for stationary pipe and surface mount applications.

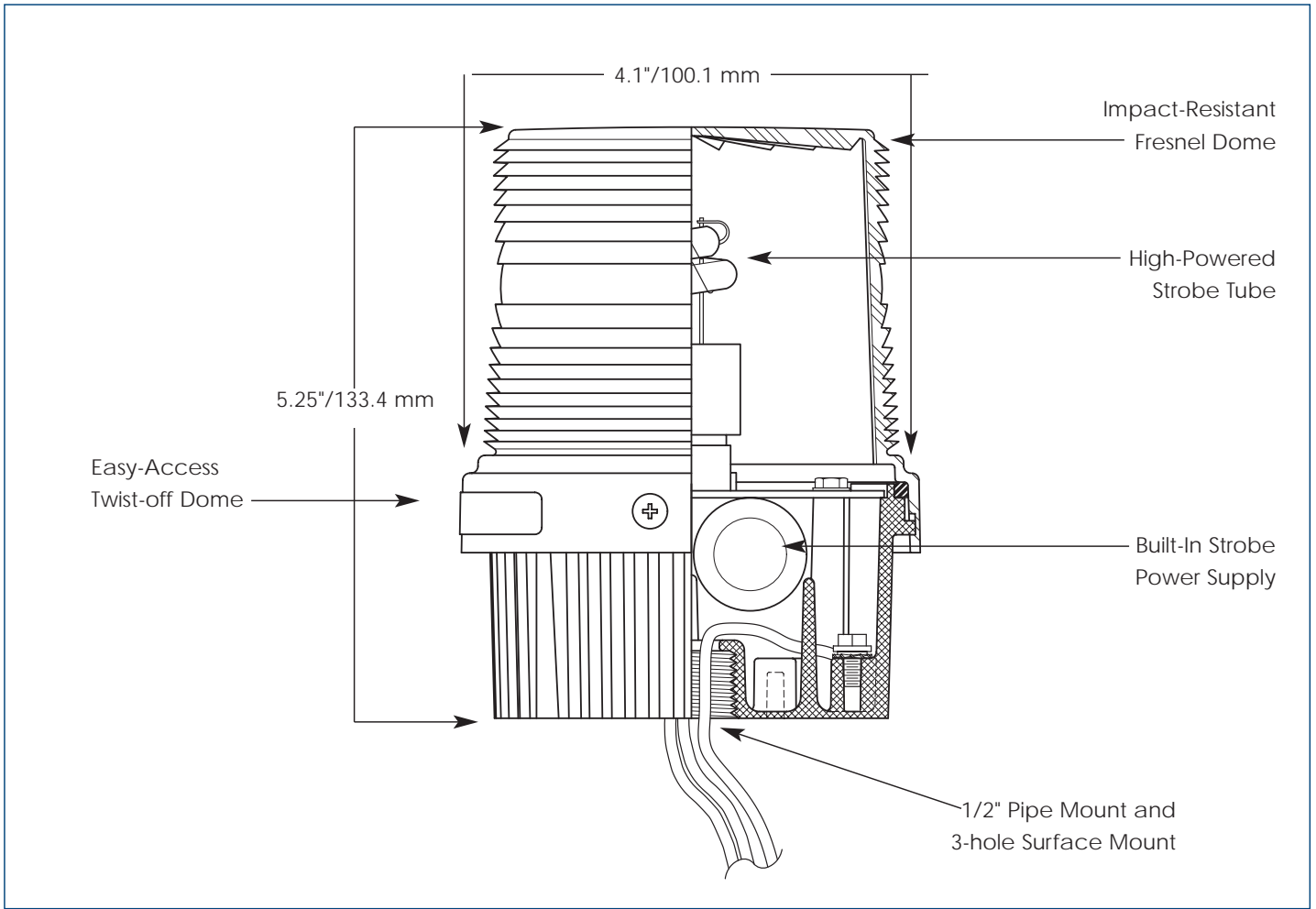
The Fireball can be used in any application where a superior visual signal is needed. It is especially effective in the warning of industrial hazards, process control, status indication and in areas with high ambient noise levels.

The Fireball® Strobe is a very low-maintenance warning light for industrial applications where a vibration-resistant light is required to signal an emergency or process status.

To learn more about B-I-A please visit us at our  
WEB site: [www.BiaGmbH.com](http://www.BiaGmbH.com)



## FIREBALL® STROBE WARNING LIGHT (FB2PST)



### SPECIFICATIONS

Lamp Life*:	10,000 Hours	10,000 Hours
Lamp Style:	Strobe	Strobe
Operating Temperature:	-31°F to 150°F	-35°C to 66°C
Net Weight:	1.45 lbs.	0.7 kg
Shipping Weight:	1.7 lbs.	0.8 kg
Height:	5.25"	133.4
Diameter:	3.94"	100.1

### HOW TO ORDER

- Specify model, voltage and color
- Specify options:  
 Corner Bracket (LCMB2)\*  
 Wall Bracket (LWMB2)\*

\* Not Type 4X rated.

\* Optimal hours under ideal conditions.

### REPLACEMENT PARTS

<u>Description</u>	<u>Part Number</u>	<u>Description</u>	<u>Part Number</u>
Dome, Amber	K8550320A	PC Assembly, 12-24VDC	K2001202C
Dome, Blue	K8550320A-01	PC Assembly, 120VAC	K200D866G
Dome, Clear	K8550320A-02	PC Assembly, 240VAC	K200D866G-01
Dome, Green	K8550320A-03	Strobe Tube, Series A, A1, A2, A3	Call Factory
Dome, Red	K8550320A-04	Strobe Tube, Series A4, A5, B	K8107177A
Dome, Magenta	K8550320A-05	120VAC Fuse	K148A155A-01