



# Starfire® Strobe Warning Lights

Models 131ST and 131DST

## OUR BRIGHTEST MEDIUM DUTY STROBE LIGHT

- Available in 12-24VDC, 120VAC and 240VAC
- Five dome colors
- 10,000 hour strobe tube
- Single or double flash strobe
- 1/2-inch pipe mount or optional magnetic mount
- UL Listed, cUL Listed, CSA Certified for indoor/outdoor use
- NEMA 3R, IP45 enclosure



Federal Signal's Starfire® strobe warning lights are available in single-flash (131ST) and double-flash (131DST) models. Through precise timing of the strobe flash, the double flash unit produces 1,200 effective candlepower; the single flash unit produces 1,000 effective candlepower.

Starfire models are available in 12-24VDC, 120VAC (50/60Hz) and 240VAC (50/60Hz). All units are less than nine inches high and six inches in diameter, but powerfully effective.

Starfire strobe warning lights contain their own strobe power supply in the base of the light. The strobe flash tube is mounted in an eight-pin octal socket base. The fresnel dome stands up to impact and abuse and is available in amber, blue, clear, green and red. The base of the light is made of corrosion-resistant anodized aluminum. Each Starfire model comes with a standard 1/2-inch pipe mount. An optional magnetic mount or surface mount can be ordered.

Because of its convenient size and intense light output, the Starfire strobes can be used for multiple applications. Excellent for in-plant use, the Models 131ST/DST warn of hazardous conditions, mark dangerous areas (either permanently or temporarily) and mounts on lift trucks, cranes and other moving devices. By using the magnetic mounting kit, these powerful strobes can be used on emergency, utility, maintenance or any other vehicle requiring temporary emergency warning.

Model	Voltage	Operating Current	Flash Rate/Minute	Candlepower Peak <sup>1</sup>	ECP <sup>2</sup>	Mount <sup>4</sup>
<b>131DST</b>	12-24VDC	4.50-2.10 amps	80 <sup>3</sup>	1,000,000	1,200	1/2" Pipe
<b>131DST</b>	120VAC	0.60 amps	80 <sup>3</sup>	1,000,000	1,200	1/2" Pipe
<b>131DST</b>	240VAC	0.30 amps	80 <sup>3</sup>	1,000,000	1,200	1/2" Pipe
<b>131ST</b>	12-24VDC	2.75-1.25 amps	80	2,000,000	1,000	1/2" Pipe
<b>131ST</b>	120VAC 50/60Hz	0.60 amps	80	2,000,000	1,000	1/2" Pipe
<b>131ST</b>	240VAC 50/60Hz	0.30 amps	80	2,000,000	1,000	1/2" Pipe

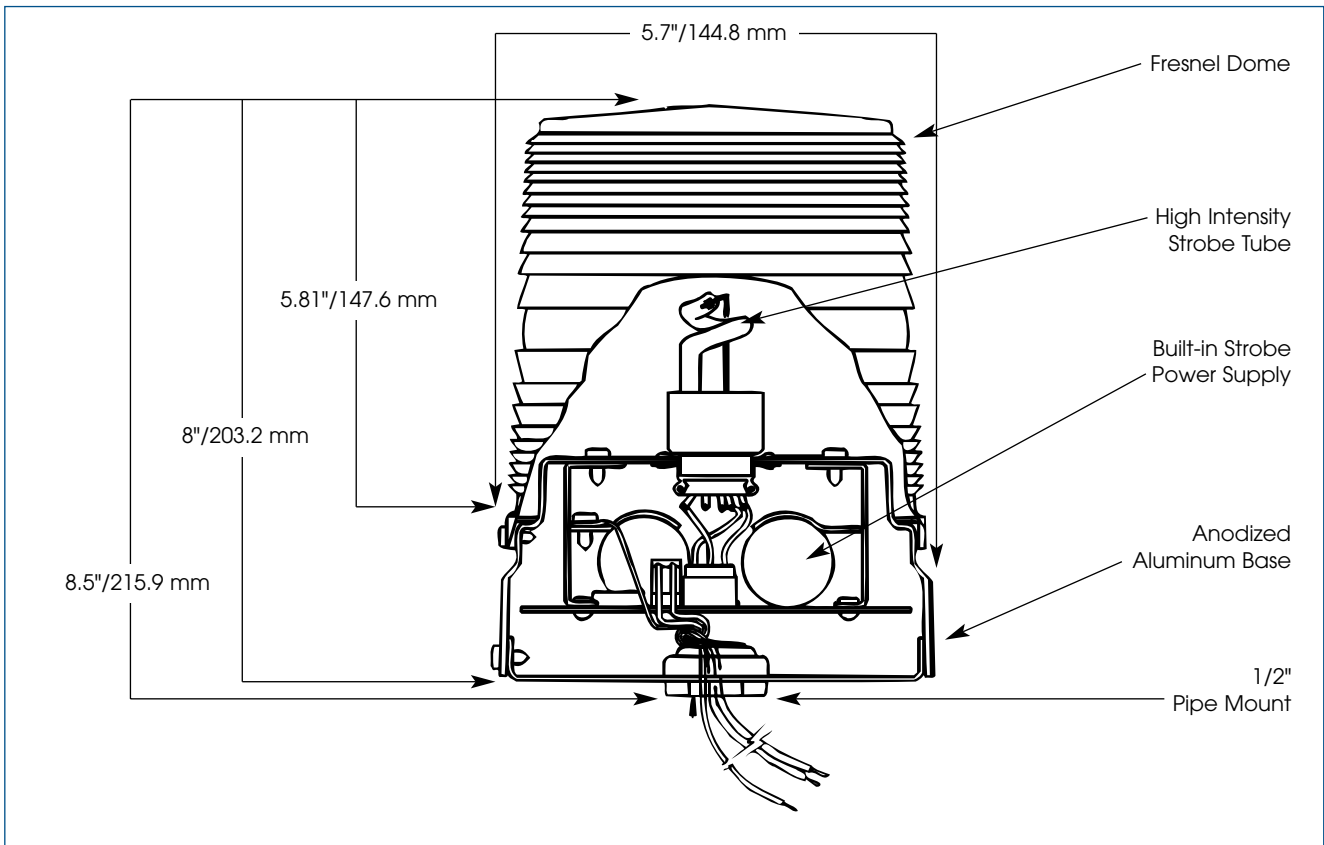
<sup>1</sup> Peak candlepower is the maximum light intensity generated by a flashing light during its light pulse

<sup>2</sup> ECP (Effective Candlepower) is the intensity that would appear to an observer if the light were burning steadily

<sup>3</sup> Double Flash

<sup>4</sup> Magnet and surface mount kits available

**STARFIRE® STROBE WARNING LIGHT (131ST/131DST)**



**SPECIFICATIONS**

Lamp Life*:	10,000 Hours	10,000 Hours
Lamp Style:	Strobe	Strobe
Operating Temperature:	-31°F to 150°F	-35°C to 66°C
Net Weight:	2.0 lbs.	1.0 kg
Shipping Weight:	3.4 lbs.	1.5 kg
Height:	8.50"	215.9 mm
Width:	5.70"	144.8 mm

\* Optimal hours under ideal conditions.

**HOW TO ORDER**

- Specify model, voltage and color
- Specify options:  
[Corner Bracket \(LCMB2\)](#)  
[Wall Bracket \(LWMB2\)](#)  
 Surface Mount (K844A211B)  
 Magnetic Mount (131MMK)

**REPLACEMENT PARTS**

<u>Description</u>	<u>Part Number</u>	<u>Description</u>	<u>Part Number</u>
Dome, Amber	K8422B428A-01	PC Assembly, 12-24VDC (131ST)	K2001260C
Dome, Blue	K8422B428A-02	PC Assembly, 120VAC (131ST)	K2001188C
Dome, Clear	K8422B428A	PC Assembly, 240VAC (131ST)	K2001188C-01
Dome, Green	K8422B428A-03	PC Assembly, 12-24VDC (131DST)	K2001265C
Dome, Red	K8422B428A-04	PC Assembly, 120VAC (131DST)	K200865F
Strobe Tube	K8107178A	PC Assembly, 240VAC (131DST)	K200865F-01
Surface Mount Kit	K8444A211B	Dome Gasket	K8444A193A