



Visalert® Strobe Light

Model VALS

STROBE WARNING LIGHT

- Available in 12VDC and 24VDC, 120VAC and 240VAC
- Five lens colors
- 4,000 hour strobe tube
- Flush or surface mounts on Federal Signal audible signaling devices or control panel
- UL Listed, CSA Certified for indoor/outdoor use
- NEMA 3R, IP44 enclosure



Federal Signal's Visalert® is a three dimensional, triangular warning light designed to be mated with Federal Signal's **Model 350** Vibratone® horn and the **Model 50GC** SelecTone® speaker/amplifier. The Model VALS can also be used as a stand alone device. Visalert is available in five lens colors: amber, blue, clear, green and red.

Knockouts on the 50GC and the 350 audible devices ensure easy installation. The units can be either independently or simultaneously wired with the audible device. Model VALS uses a linear strobe tube and all the circuitry is contained within the lens.

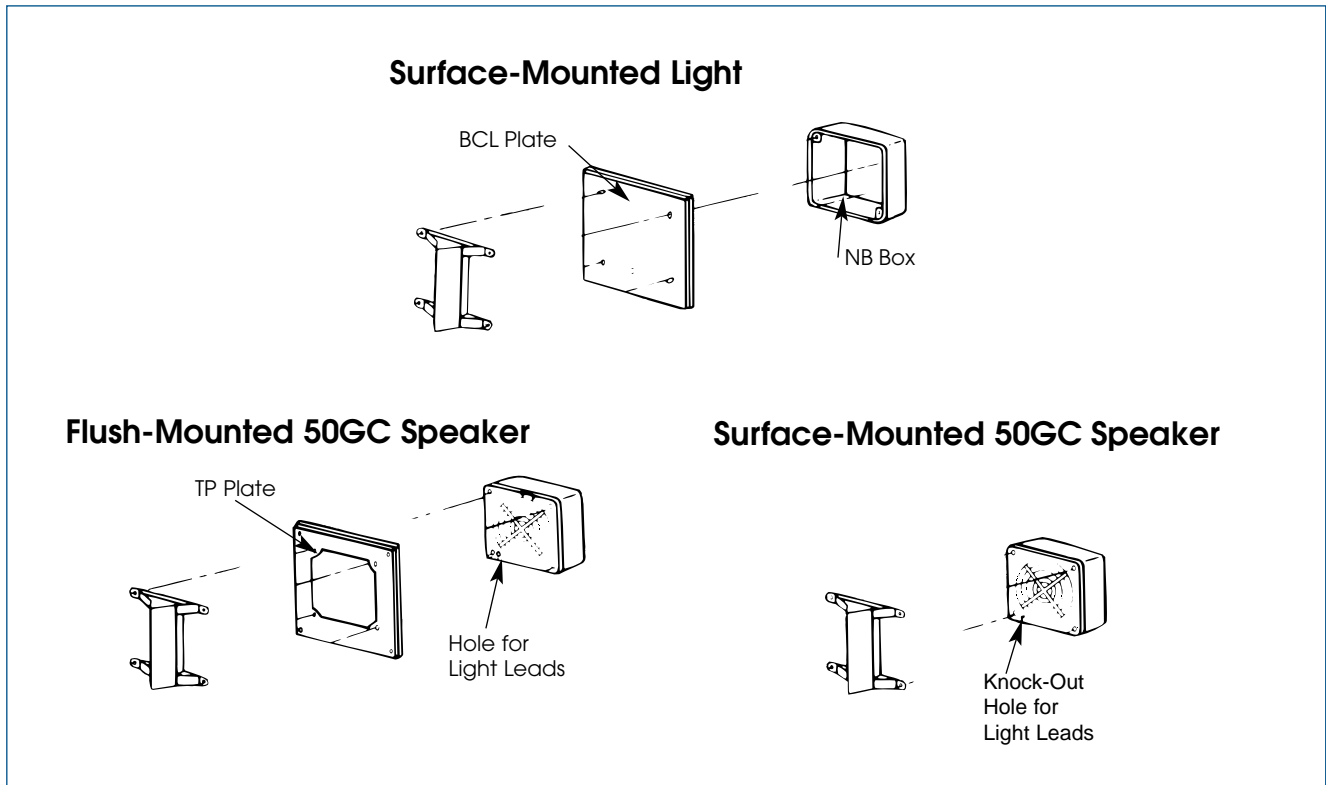
Visalert units are recommended for use in industrial applications and situations where effective visual warning is needed. The Visalert can be flush or surface mounted on the **Model 350** horn or **Model 50GC** speaker/amplifier.

Federal Signal's Visalert strobe light is an affordable, low-maintenance strobe light in a compact size that is perfect for control panel applications.

Model	Voltage	Operating Current	Flash Rate/Minute	Peak ¹ Candlepower	Mount
VALS	12VDC	0.18 amps	80	108,000	Surface
VALS	24VDC	0.08 amps	80	108,000	Surface
VALS	120VAC 50/60HZ	0.06 amps	80	108,000	Surface
VALS	240VAC 50/60HZ	0.03 amps	80	108,000	Surface

¹ Peak candlepower is the maximum light intensity generated by a flashing light during its light pulse

VISALERT® STROBE LIGHT (VALS)



SPECIFICATIONS

Lamp Life*:	4,000 Hours	4,000 hours
Lamp Style:	Strobe	Strobe
Operating Temperature:	-31°F to 150°F	-35°C to 66°C
Net Weight:	0.1 lbs.	0.057 kg
Shipping Weight:	0.25 lbs.	0.113 kg
Height:	3.95"	100.3 mm
Width:	3.94"	100 mm
Depth:	1.6	40.6 mm

* Optimal hours under ideal conditions.

HOW TO ORDER

- Specify model, voltage and color
- Specify options:
 Electrical Box (NB)
 Mounting Plate (BCL)
 Mounting Plate (TP)
 Speaker (50GC, [Document # 5153](#))

REPLACEMENT PARTS

<u>Description</u>	<u>Part Number</u>	<u>Description</u>	<u>Part Number</u>
Lens, Amber	K8435D539A	Lens, Green	K8435D539A-03
Lens, Blue	K8435D539A-08	Lens, Red	K8435D539A-07
Lens, Clear	K8435D539A-02	Strobe Tube	K149128A