



Electraray® Hazardous Location Rotating Warning Light

Model 225X

DESIGNED FOR USE IN HAZARDOUS LOCATIONS

- Available in 120VAC and 240VAC
- Five dome colors
- 25-watt incandescent lamp
- 1/2-inch pipe mount
- UL Listed, CSA Certified for indoor/outdoor use
- NEMA 4X, IP65 enclosure



The new Federal Signal Electraray® Model 225X is a compact, economical rotating warning light designed for a variety industrial applications. This innovative dome design, with a single screw allows quick and easy access for inspection and relamping.

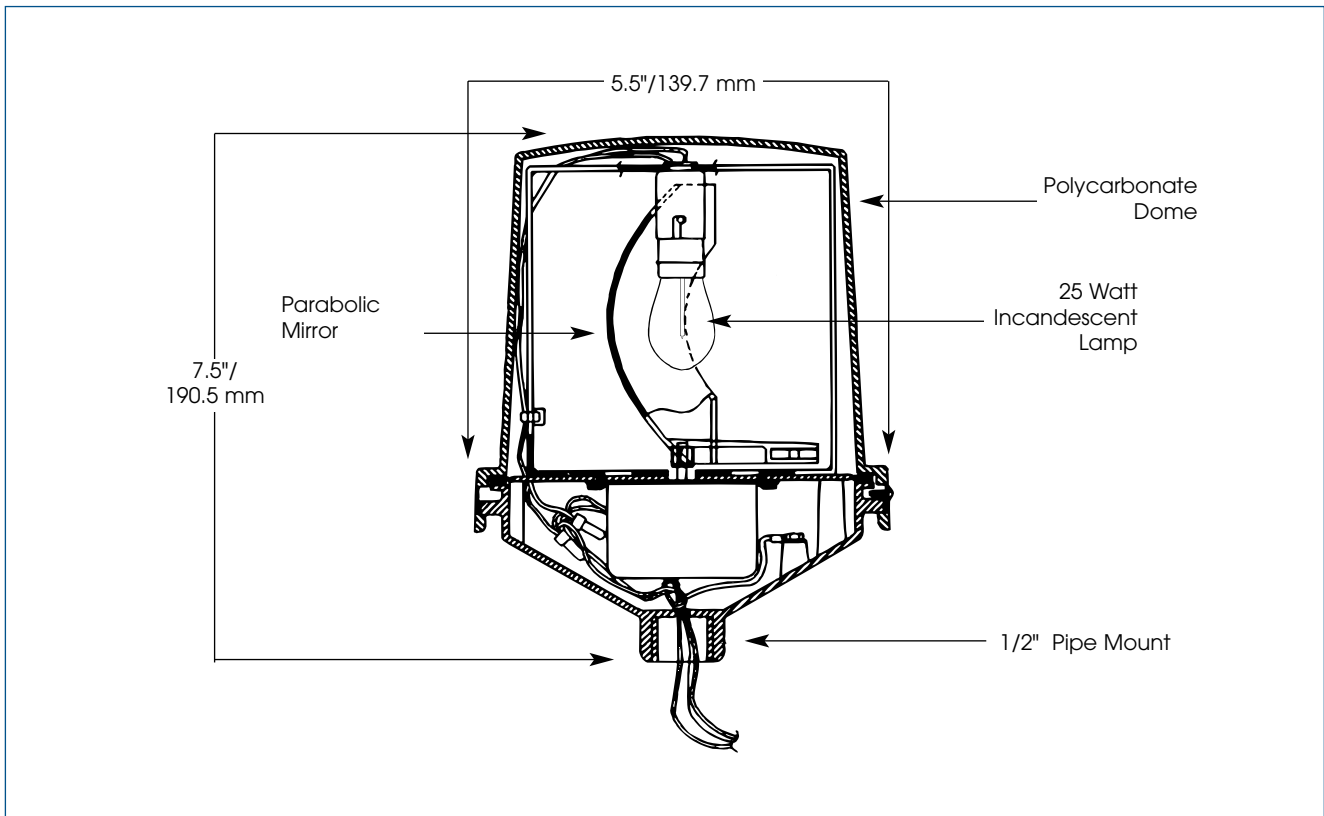
The Federal Signal Electraray 225X features a silicone rubber gasket that provides a water-resistant seal between the dome and the black poly-coated base. The injection molded reflector rotates around a 25-watt lamp producing 90 flashes per minute. It is available in five dome colors (amber, blue, clear, green and red) and is UL (Underwriters Laboratories) listed and CSA (Canadian Standards Association) Certified for Class I, Division 2, Group A, B, C and D; Class II, Division 2, Groups F and G; and Class III. The Electraray 225X is ready to mount on a 1/2" pipe.

The Electraray 225X design makes it a good choice for a multitude of indoor and outdoor applications. It is designed for permanent mounting where 120VAC, 50/60Hz is available. This particular light provides an effective means of supplementing audible signaling devices in hazardous environments.

Federal Signal's affordable Electraray rotating warning light is specifically designed for use in hazardous locations or where corrosive materials are present.

Model	Voltage	Operating Current	Flash Rate/Minute	Candlepower	Mount
225X	120VAC 50/60Hz	0.22 amps	90	1,000	1/2" Pipe
225X	240VAC 50/60Hz				

ELECTRARAY® HAZARDOUS LOCATION WARNING LIGHT (225X)



SPECIFICATIONS

Lamp Life*:	200 Hours	200 Hours
Lamp Style:	Incandescent	Incandescent
Operating Temp.:	-31°F to 150°F	-35°C to 66°C
Net Weight:	2.0 lbs.	.9 kg
Shipping Weight:	2.7 lbs.	1.2 kg
Height:	7.5"	190.5 mm
Diameter:	5.5"	139.7 mm

* Optimal hours under ideal conditions.

HOW TO ORDER

- Specify model, voltage and color
- Specify options:
[Corner Bracket \(LCMB2\)*](#)
[Wall Bracket \(LWMB2\)*](#)

* Brackets not NEMA 4X or Division 2 rated.

REPLACEMENT PARTS

Description	Part Number
Dome, Amber	K8444291B-07
Dome, Blue	K8444291B-05
Dome, Clear	K8444291B-03
Dome, Green	K8444291B-06
Dome, Red	K8444291B-04
Lamp, 120VAC	K149123A
Motor, 120VAC	K8241A030-02