



ADD THESE OPTIONS TO YOUR MICROSTAT™

- Wall mount bracket
- Plug-in LED's in six colors – amber, blue, clear, green, red or superbright green
- Pipe extensions
- Plug-in sound module
- Tulip-style pipe-mount base
- UL Listed and CSA Certified (MSLED, MSS)



MicroStat™ Status Indicator Optional Equipment

Models MSLBRCKT, MSLED, MSP, MSS, MSTB

A variety of optional equipment is available for the MicroStat®.

MSLBRCKT

Wall mounting the MicroStat is simple with this basic bracket.

MSLED

Six plug-in LED's are available for the MicroStat. The Amber, blue, clear, green, red or superbright green. The MSLED replaces the lamp in any MSL light module. These surface mount printed circuit board lamp simulators represent the state of the art in LED technology. MSLED modules are UL Listed and CSA Certified.

MSP

Some applications require that the status indicators to be raised above the machine surface. Using pipe extensions helps improve the visibility of the MicroStat. Three different lengths are available for the MicroStat. They measure 4-inches (MSP-4), 16-inches (MSP-16) and 32-inches (MSP-32).

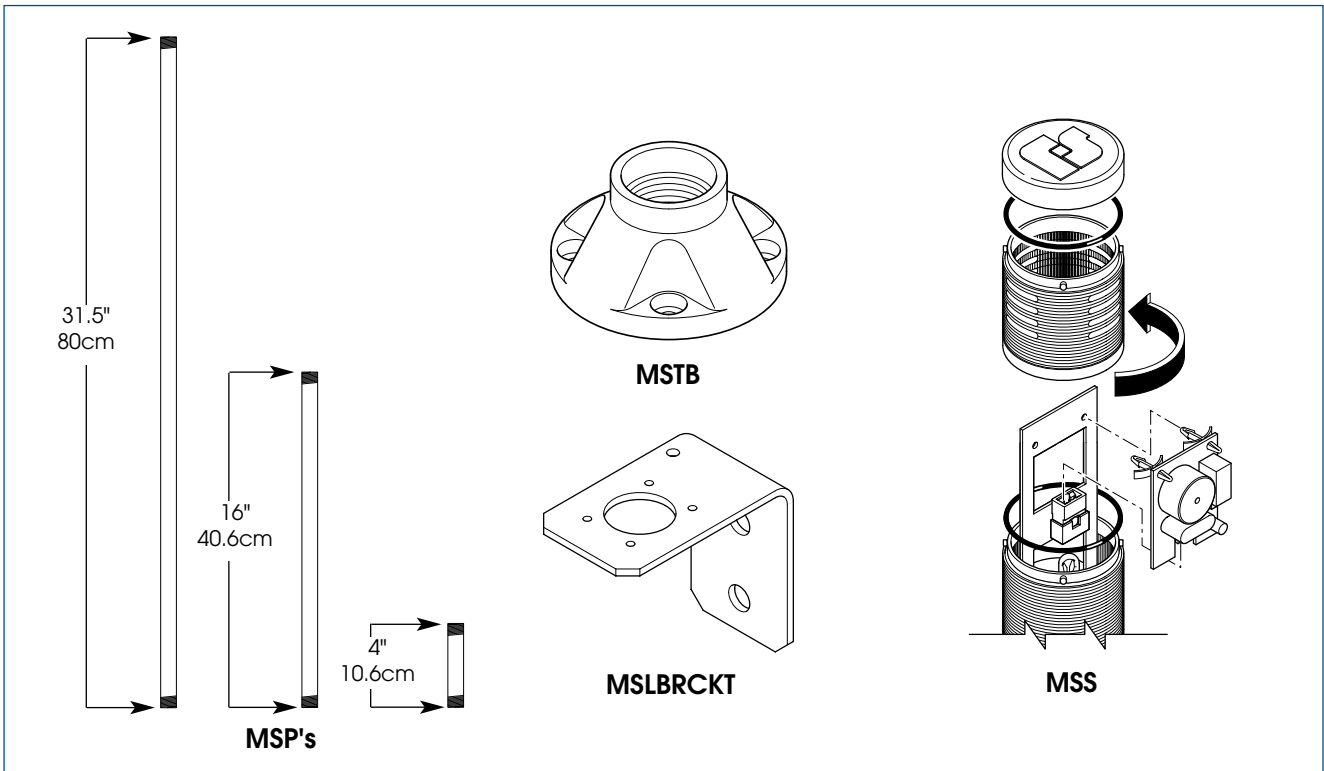
MSS

Adding sound to the MicroStat is simple with the plug-in Sound Module. The Sound Module produces 83-85dB @ 10'. This compact piezo device replaces the lamp in the top position of any Microstat. A slotted opaque lens protects the sound module circuit and permits the sound to be heard at maximum levels. Adding the sound module to the MicroStat changes the NEMA rating from 4X to 3R.

MSTB

The MicroStat base can be pipe-mounted or surface-mounted. When using the pipe extensions the Tulip Base is required for a true surface mount.

MICROSTAT™ OPTIONAL EQUIPMENT



SPECIFICATIONS

MSS

| | | |
|--------------------|---------------|-------------|
| Operating Current: | 24VDC | 0.03 amps |
| | 120VAC | 0.04 amps |
| dB Output: | 83-85dB @ 10' | 95-103 @ 1m |
| Net Weight: | 0.25 lbs. | 0.11 kg |
| Shipping Weight: | 0.75 lbs. | 0.34 kg |
| Height: | 2.0" | 50.8 mm |
| Diameter: | 2.2" | 55.9 mm |

MSLED

| | | |
|--------------------|-----------|------------|
| Operating Current: | 24VDC | 0.095 amps |
| | 120VAC | 0.095 amps |
| Net Weight: | 0.05 lbs. | 0.02 kg |
| Shipping Weight: | 0.55 lbs. | 0.25 kg |
| Height: | 1.75" | 44.45 mm |
| Width: | 1.50" | 38.1 mm |

MSLBRCKT

| | | |
|------------------|-----------|----------|
| Net Weight: | 0.40 lbs. | 0.18 kg |
| Shipping Weight: | 0.90 lbs. | 0.41 kg |
| Height: | 3.45" | 87.63 mm |
| Width: | 2.0" | 50.8 mm |

MSTB

| | | |
|------------------|----------|---------|
| Net Weight: | 0.3 lbs. | 0.14 kg |
| Shipping Weight: | 0.8 lbs. | 0.36 kg |
| Height: | 1.5" | 38.1 mm |
| Diameter: | 2.75" | 1.25 mm |

HOW TO ORDER

- Specify model