



# Streamline® Low Profile Light

## Model LP2

### PERFECT SIZE MEETS SUPERIOR PERFORMANCE

- Available in 24VAC/VDC and 120VAC
- Surface or panel mount
- Steady burning
- Five dome colors
- Type 4X enclosure
- Low profile — only 2.5" H x 3" diameter (65mm x 76mm)
- Built-in strain relief
- UL and cUL Listed and CE Compliant

The Streamline® Model LP2 is a unique, steady burning incandescent light, ideal for both horizontal and vertical panel mount installation. This device mounts easily through any 1.54" (39mm) diameter hole; a lock nut secures the light firmly in place. A gasket positioned above the mounting surface assures a water-tight and dust-tight fit. The lamp is easily replaced from below the mounting surface. Inherent strain relief secures all wiring from the rear, for added durability. The enclosure consists of a polycarbonate dome in five colors (Amber, Blue, Clear, Green and Red), and a polyamide base; the enclosure with gasket is rated Type 4X.

A 6 watt incandescent lamp is included with the 24VAC/DC and 120VAC units. The double-contact bayonet base (Type S-6) is a standard lamp style, readily available when replacement is required. Lamp life is approximately 1,500 hours when run on AC power.

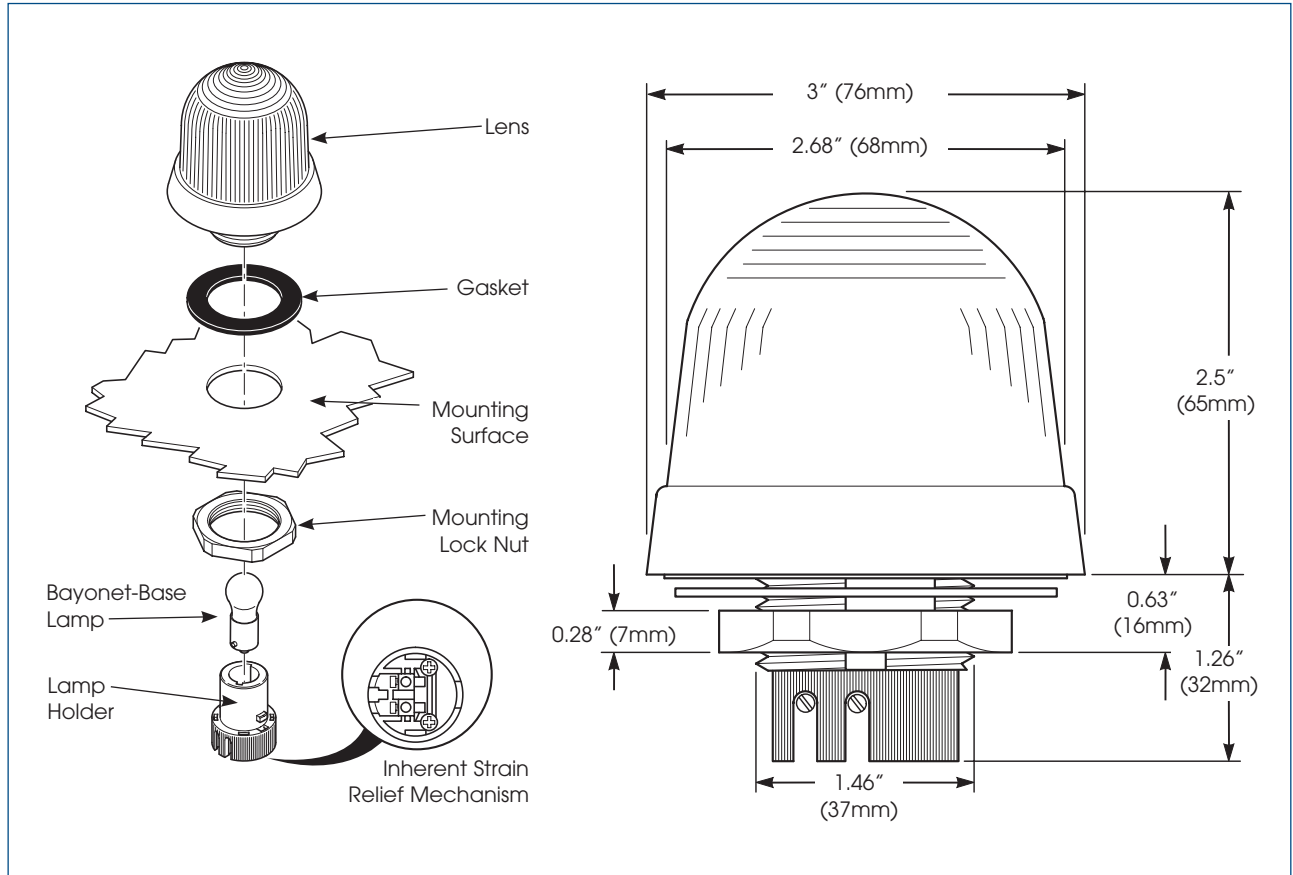
Like all Federal Signal products, the StreamLine LP2 is designed with customer applications in mind. The LP2 functions in most PLC applications (including triac outputs). Careful consideration has been given to the relationship between lamp shape and lens design for maximum light output.

When your application calls for a compact signal with unparalleled reliability, Federal Signal's Streamline products are the clear choice.

Model	Voltage	Power	Operating Current
LP2-024 *	24VAC/DC	6 watt	0.30 amps
LP2-120 *	120VAC	6 watt	0.06 amps

\* Indicates color: (A) Amber, (B) Blue, (C) Clear, (G) Green or (R) Red

**STREAMLINE® LOW PROFILE LIGHT (LP2)**



**SPECIFICATIONS**

Lamp Life:	1,500 Hours	1,500 Hours
Light Source:	Incandescent	Incandescent
Operating Temperature:	-4°F to 140°F	-20°C to 60°C
Net Weight:	3.4 oz.	96.4 g
Shipping Weight:	4.5 oz.	127.6 g
Height — above surface:	2.5"	65.0 mm
Height — below surface:	1.26"	32.0 mm
Diameter:	3.0"	75.0 mm

**HOW TO ORDER**

- Specify model, voltage and color
- Please refer to Model Number Index LP2 beginning on page 369

**REPLACEMENT PARTS**

<u>Description</u>	<u>Part Number</u>
Lamp, 24VAC/DC	K8107195A
Lamp, 120VAC	K8107195A-01