



StreamLine® Low Profile Strobe Light

Models LP3P, LP3S, LP3T

PERFECT SIZE MEETS SUPERIOR PERFORMANCE

- Available in 12-48VDC, 120VAC and 240VAC
- Surface mount, T-mount, or integrated 1/2-inch NPT pipe mount
- Five dome colors
- Screw-on lens
- Low profile — Model LP3S is only 5" high
- Type 4X, IP66 enclosure
- PLC and triac compatible
- Optional dome guard for LP3S and LP3T
- UL and cUL Listed, CSA Certified and CE Approved*

* CE Approval for P and S models only.

Federal Signal Model LP3 low profile strobe light is a Type 4X strobe that is available in five colors: Amber, Blue, Clear, Green and Red. An optional dome wire guard is available for the LP3S and LP3T.

The LP3 is offered in three mounting configurations. LP3P features an integrated 1/2-inch NPT pipe mount. LP3S features a three-hole surface mount — ideal for control panels and other flat or flush surfaces. The “T-mount” LP3T has a popular 2-hole design for wall or flush mounting.

Both the LP3S and LP3T include a surface gasket to complete the Type 4X installation. An optional dome guard is available for use with the LP3S and LP3T. All LP3 units feature a threaded screw-on lens that provides tool-free wiring and strobe tube replacement. The strobe tube is rated for 7,000 hours.

The LP3 comes in three voltage variations: 12-48VDC, 120VAC and 240VAC. The state-of-the-art strobe mechanism produces 2.2 joules of energy, while drawing relatively low level amperage.

StreamLine® strobes feature high-quality, long-life strobe lamps which are designed to reduce tungsten build-up for longer lamp maintenance cycles. Careful consideration is given to the relationship between lamp shape and lens design for maximum light output. StreamLine products make use of surface mount technology, which provides a more powerful light in a much smaller package. The dry-electrolyte capacitor used in StreamLine products runs cooler than those used in many competitive strobes, resulting in a more reliable product that won't fail due to overheating.

Model	Voltage	Operating Current	Flash Rate/ Minute	Joule Output	Candela Peak ¹	Candela ECP ²
LP3 ** -012/048 *	12-48VDC	0.44-0.10 amps	65-95	2.2	175,000	51.5
LP3 ** -120 *	120VAC	0.10 amps	65-95	2.2	175,000	51.5
LP3 ** -240 *	240VAC	0.07 amps	65-95	2.2	175,000	51.5

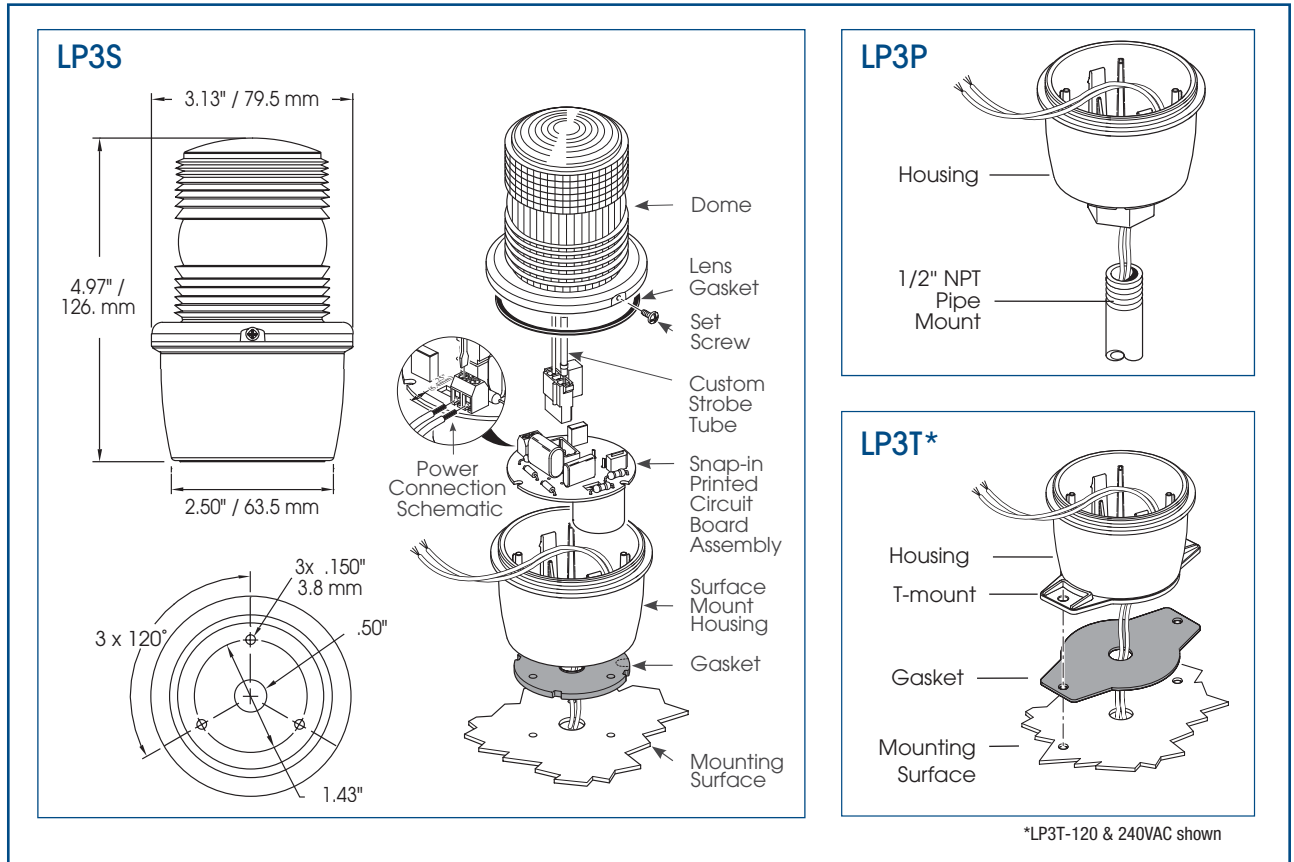
** Indicates Mounting Style: (S) Surface Mount, (P) Pipe Mount (T) T-Mount,

* Indicates color: (A) Amber, (B) Blue, (C) Clear, (G) Green or (R) Red

¹ Peak candela is the maximum light intensity generated by a flashing light during its light pulse

² ECP (Effective Candela) is the intensity that would appear to an observer if the light were burning steadily

STREAMLINE® LOW PROFILE STROBE LIGHT (LP3S/LP3P/LP3T)



SPECIFICATIONS

Lamp Life:	7,000 Hours	7,000 Hours
Light Source:	Strobe tube	Strobe tube
Operating Temperature:	-31°F to 150°F	-35°C to 66°C
Net Weight:	7.3 oz.	206.96 g
Shipping Weight:	8.5 oz.	240.98 g
Diameter:	3.125"	7.94 cm
Height (from bottom):		
LP3P	5.7"	14.48 cm
LP3S	5.0"	12.7 cm
LP3T	5.1"	12.95 cm

HOW TO ORDER

- Specify model, voltage and color
- Optional Accessories:
Wire/Dome Guard (LP3G)
for LP3S, LP3T
- Please refer to Model Number Index
LP3 (P,S,T) beginning on page 371

REPLACEMENT PARTS

Description	Part Number	Description	Part Number
Dome, Amber	K8589063A	PC Assembly, 12-48VDC	K2001316B
Dome, Blue	K8589063A-01	PC Assembly, 120VAC	K2001317B
Dome, Clear	K8589063A-02	PC Assembly, 240VAC	K2001317B-01
Dome, Green	K8589063A-03	Gasket, Lens	K8589013A
Dome, Red	K8589063A-04	Gasket, LP3S	K8589011A
Strobe Tube	K149130A	Gasket, LP3T	K8589012A