



Streamline® Low Profile Mini Strobe

Model LP6

COMPACT, ECONOMICAL STROBE LIGHT

- Available in 12-48VDC and 120VAC
- Screw-on dome available in five colors
- Surface mount
- Low profile — only 3⁵/₈" high
- Type 4X enclosure
- UL and cUL Listed and CSA Certified

The Model LP6 is a very compact, high power strobe light designed for applications where space is critical. At 3⁵/₈" high, this strobe light is ideal for fork lift applications where head room is important. The LP6 also mounts easily to small control panels.

The LP6 features a two joule power supply that works in multiple voltages from 12-48VDC to 120VAC. Modular construction incorporates a powerful flash tube and vibration resistant circuit board.

The LP6 housing utilizes a unique screw-on dome for easy relamping and service. The polycarbonate base and lens combination gives this strobe excellent impact and corrosion resistance and meets Type 4X requirements. The LP6 is also UL Listed, cUL Listed and CSA Certified.

The LP6 is available in five colors — Amber, Blue, Clear, Green and Red.

This economical light does not sacrifice power for price or size.

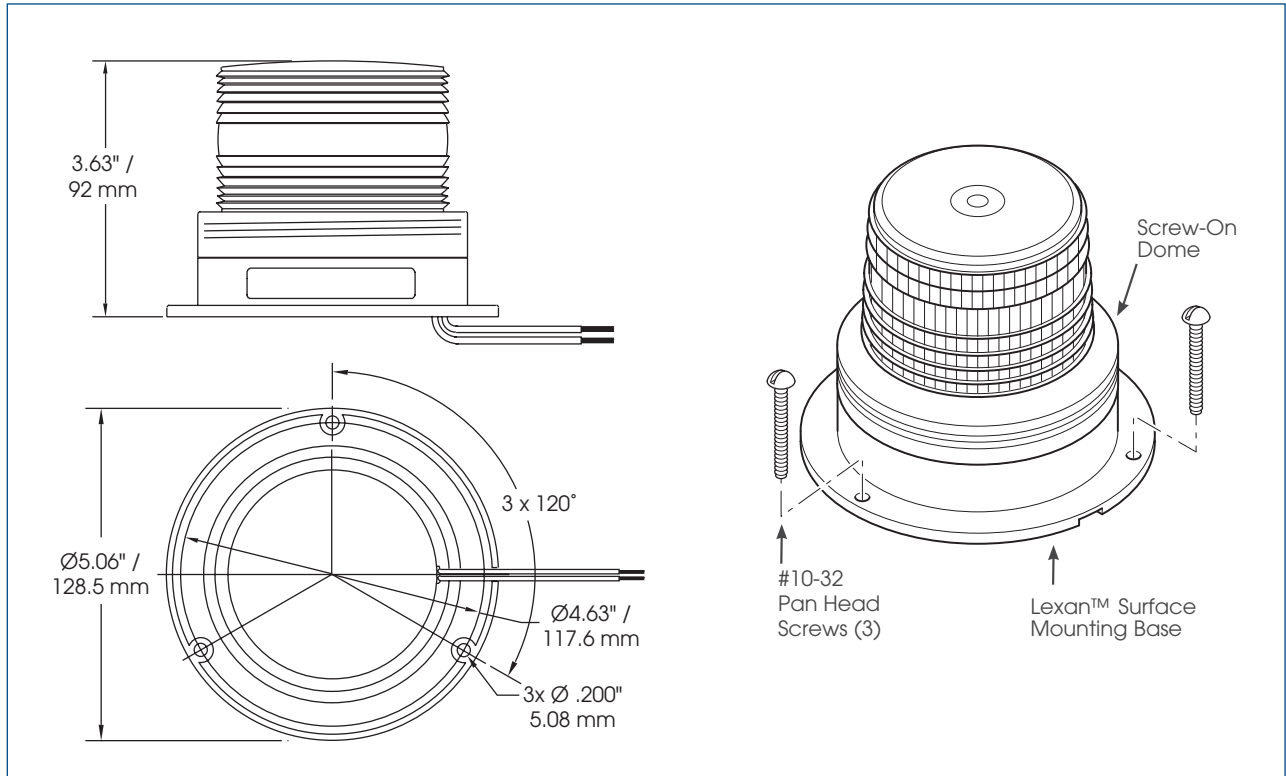
Model	Voltage	Operating Current	Flash Rate/ Minute	Joule Output	Candela Peak ¹	ECP ²
LP6-012/048 *	12-48VDC	0.44-0.10 amps	65-95	2.2	175,000	51.5
LP6-120 *	120VAC	0.10 amps	65-95	2.2	175,000	51.5

* Indicates color: (A) Amber, (B) Blue, (C) Clear, (G) Green or (R) Red

¹ Peak candela is the maximum light intensity generated by a flashing light during its light pulse

² ECP (Effective Candela) is the intensity that would appear to an observer if the light were burning steadily

STREAMLINE® LOW PROFILE MINI STROBE (LP6)



SPECIFICATIONS

Lamp Life:	7,000 Hours	7,000 Hours
Light Source:	Strobe tube	Strobe tube
Operating Temperature:	-31°F to 150°F	-35°C to 65°C
Net Weight:	0.65 lbs.	0.29 kg
Shipping Weight:	0.85 lbs.	0.39 kg
Height:	3.63"	9.2 cm
Diameter:	5.0"	12.7 cm

HOW TO ORDER

- Specify model, voltage and color
- Please refer to Model Number Index LP6 beginning on page 372

REPLACEMENT PARTS

<i>Description</i>	<i>Part Number</i>	<i>Description</i>	<i>Part Number</i>
Dome, Amber	K8589037A	PC Assembly, 012-048VDC	K2005083A-01
Dome, Blue	K8589037A-01	PC Assembly, 120VAC	K2001887A-02
Dome, Clear	K8589037A-02	O-Ring	K8589038A
Dome, Green	K8589037A-03	Base Gasket	K8589039A
Dome, Red	K8589037A-04	Strobe Tube	K149130A