



# SelectTone® Explosion-Proof Audible Signaling Device

## Model 300X

### DESIGNED FOR EXPLOSION-PROOF ENVIRONMENTS

- Available in 24VAC/DC, 120VAC and 240VAC
- Built-in gain control
- Produces 80dB to 104dB @ 10' (90dB to 114dB @ 1m)
- UL Listed, CSA Certified, CSFM Approved
- NEMA 3R, IP44 enclosure



Federal Signal's SelectTone® Model 300X is a solid-state audible signaling device for indoor and outdoor explosion-proof environments. This unit consists of a re-entrant horn speaker and audio amplifier.

All internal amplification circuitry, gain control and tone modules are contained in a rugged die-cast aluminum housing.

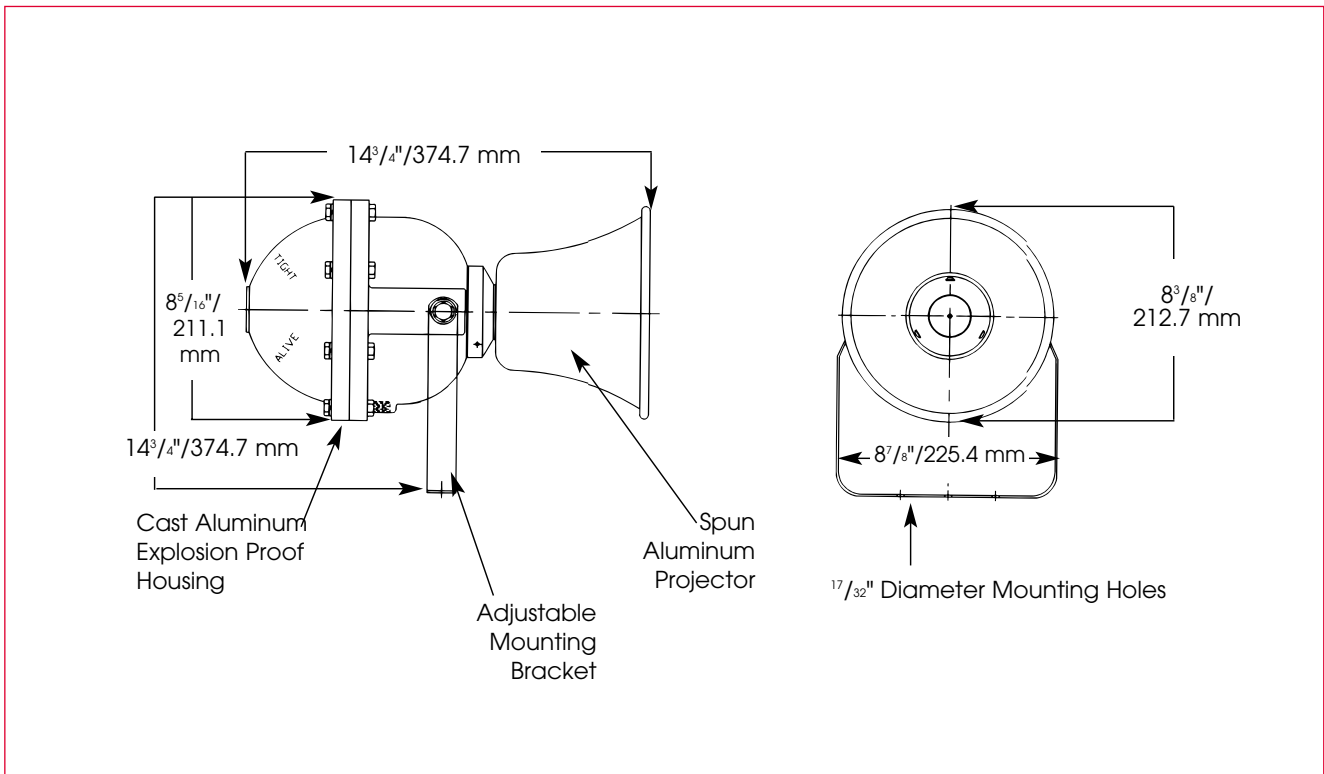
The 300X is UL (Underwriters Laboratories) Listed and CSA (Canadian Standards Association) Certified for Class I, Division 1, Groups B, C & D.

The 300X is offered in 24VAC/DC, 120VAC, and 240VAC. It will provide a single tone signal in stand-alone applications or clearly amplify tone and voice when used in a SelectTone system. Internal gain control allows output adjustment from 80dB to 104dB at ten feet (90dB to 114dB @ 1m).

Tone modules which produce distinctly different signals may be selected to meet any warning or communication needs.

Model	Voltage	Operating Current	Sys. Standby Current	Decibels @ 10'	Decibels @ 1m
300X	24VDC	0.50 amps	0.06 amps	104	114
300X	24VAC 50/60Hz	1.30 amps	0.13 amps	104	114
300X	120VAC 50/60Hz	0.27 amps	0.03 amps	104	114
300X	240VAC 50/60Hz	0.13 amps	0.02 amps	104	114

### EXPLOSION-PROOF AUDIBLE SIGNALING DEVICE (300X)



#### SPECIFICATIONS

Operating Temperature	-31°F to 161°F	-35°C to 72°C
Net Weight:		
24VAC	17.15 lbs.	7.78 kg
120/240VAC	18 lbs.	8.16 kg
Shipping Weight:		
24VAC	18.8 lbs.	8.53 kg
120/240VAC	19.8 lbs.	8.98 kg
Height:	14.75"	375 mm
Width:	8.88"	225 mm
Depth:	14.75"	375 mm

#### REPLACEMENT PARTS

<u>Description</u>	<u>Part Number</u>
Amplifier, 120VAC	K200C511
Amplifier, 24VDC	K200C511-01
Amplifier, 240VAC	K200C511-02
Driver	K132139A
Transformer, 120VAC	K120B121K-06
Transformer, 240VAC	K120B128E-01
Speaker, Projector	K8283C431-0R
Speaker, Cone	K8283B430-01

#### HOW TO ORDER

- Specify model number and voltage
- Specify Tone Module for stand alone operation  
     Universal Tone Module (UTM)  
     Custom Tone Module (TM33)
- Specify Connector Kit for use in systems  
     Connector Kit (300CK)  
     Supervised Connector Kit (300CKS)  
     25Vrms Connector Kit (AM25CK)  
     70Vrms Connector Kit (AM70CK)  
     100Vrms Connector Kit (AM100CK)