



SelecTone® Explosion-Proof Audible Signaling Device

Model 302X

DESIGNED FOR EXPLOSION- PROOF ENVIRONMENTS

- Available in 24VAC/DC
- Built-in gain control
- Produces 90dB to 114dB @ 10' (100dB to 124dB @ 1m)
- UL Listed, CSA Certified, CSFM Approved
- NEMA 3R, IP44 enclosure



Federal Signal's SelecTone® Model 302X is a solid-state audible signaling device for indoor and outdoor explosion-proof environments. The unit consists of a re-entrant horn, speaker, and audio amplifier. All internal amplification circuitry, gain control and tone modules are contained in a rugged die-cast aluminum amplifier housing.

The 302X is UL (Underwriters Laboratories) Listed and CSA (Canadian Standards Association) Certified for Class I, Division 1, Groups B, C & D.

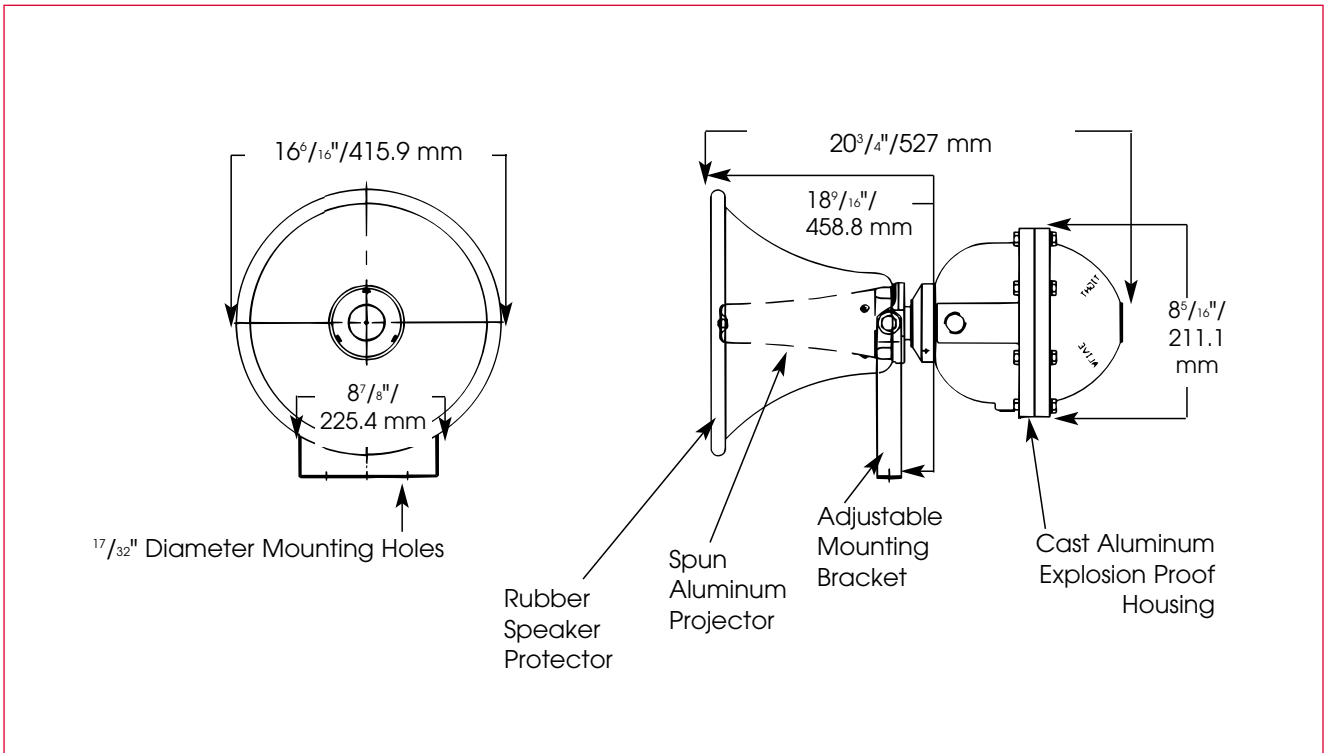
Model 302X is offered in 24VAC/DC. It will amplify tone and voice when used with SelecTone Command Units, including the 300MB, 300MC, 300VSC-1, 300VSC-1044SB, 300SCW-1 or 300SSC. Command units allow from four to six of the available tones (depending on the command unit) or voice messages to be selected and amplified.

Internal gain control allows tone output adjustment from 90dB to a maximum of 114dB @ 10 feet (100dB to 124dB @ 1m).

The 302X can be used individually or as part of a plant-wide warning and communications system where very high noise levels exist. Typical applications include emergency warning, start and dismissal, evacuation alarm, paging and process controls.

Model	Voltage	Operating Current	Sys. Standby Current	Decibels @ 10'	Decibels @ 1m
302X	24VDC	0.13 amps	0.02 amps	114	124
302X	24VAC 50/60Hz	1.10 amps	0.03 amps	114	124

EXPLOSION-PROOF AUDIBLE SIGNALING DEVICE (302X)



SPECIFICATIONS

Operating Temperature	-31°F to 161°F	-35°C to 72°C
Net Weight:	23 lbs.	10.4 kg
Shipping Weight:	26 lbs.	11.8 kg
Height:	18.56"	471 mm
Width:	16.38"	416 mm
Depth:	20.75"	528 mm

REPLACEMENT PARTS

<u>Description</u>	<u>Part Number</u>
Amplifier	K200C511-03
Driver	K132140A

HOW TO ORDER

- Specify model number and voltage
- Specify Tone Module for stand alone operation
 - Universal Tone Module (UTM)
 - Custom Tone Module (TM33)
- Specify Connector Kit for use in systems
 - Connector Kit (300CK)
 - Supervised Connector Kit (300CKS)
 - 25Vrms Connector Kit (AM25CK)
 - 70Vrms Connector Kit (AM70CK)
 - 100Vrms Connector Kit (AM100CK)