



USED WITH SELECTONE® AND PUBLIC ADDRESS SYSTEMS AND AUDIOMASTER® SPEAKERS

- Stores six voice messages, melodies, tones or signals
- High-quality, non-volatile playback
- Records message up to 20 seconds long (a 120 second total capacity)
- Available in 24VDC or 120/240VAC
- UL Listed, cUL listed, CSA Certified
- NEMA 4X, IP66 enclosure



CommCenter® Explosion-Proof Digital Message Center

Model 306MX

The Federal Signal CommCenter® Model 306MX broadcasts pre-recorded voice messages, melodies, tones and signals over SelecTone® and public address systems. The Model 306MX replaces the outdated loop tape players with superior high-quality audio playback.

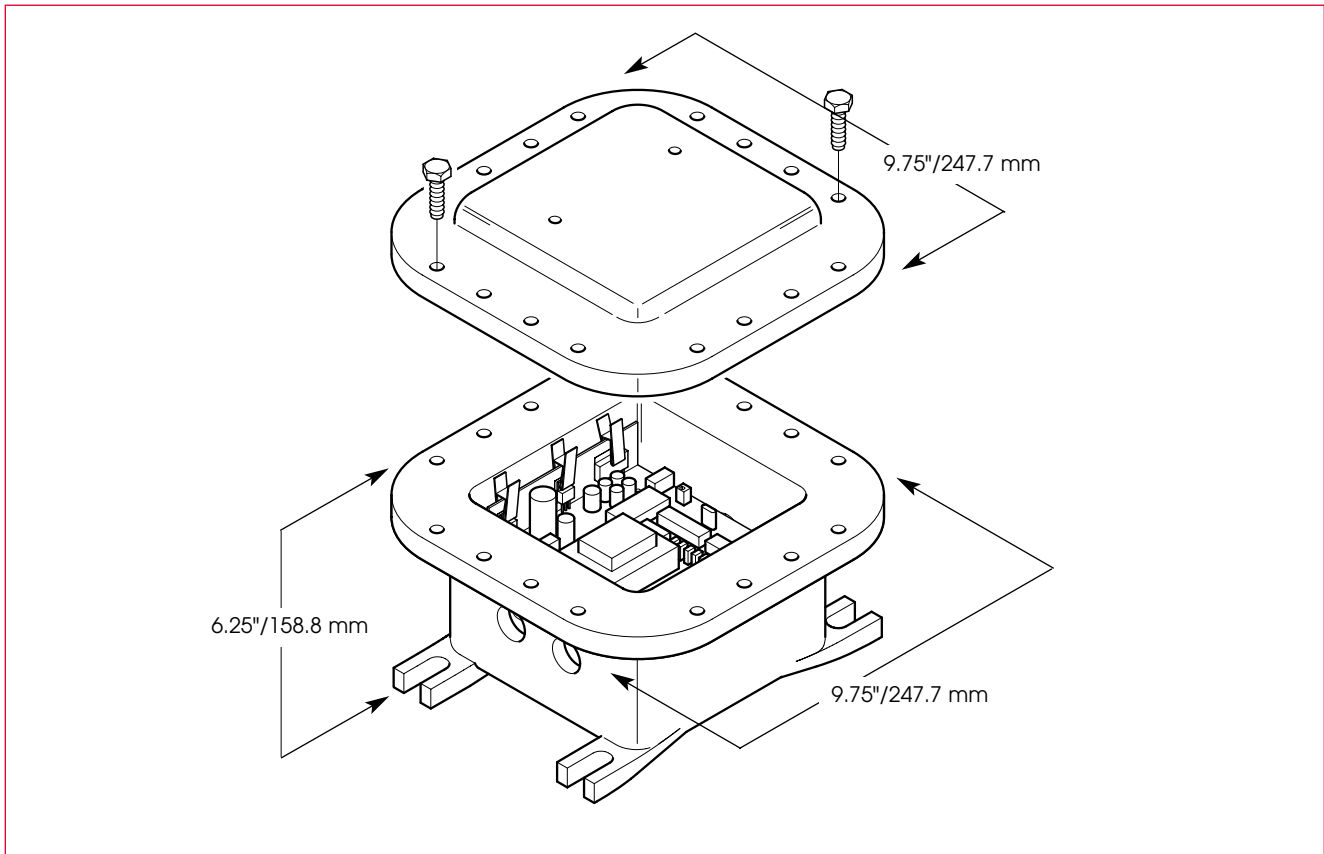
The 306MX CommCenter is housed in an explosion-proof enclosure rated for Class I, Division 1, Groups B,C,&D, Class II, Division 2 Groups E,F,G; and Class III. The housing is rated NEMA 4X and IP66.

The 306MX contains a single chip that is capable of storing and playing six 20-second messages. Melodies, voice messages, tones and/or signals are available, including the pre-recorded CommCenter library, a customer supplied audio tape or a message recorded in the field with the Model 306FR Field Recorder (page 208). Custom messages can be recorded in the Federal Signal Sound Studio when the user provides the script.

Digital messages, in any language, can be used to automatically signal emergency or process control situations. Clear, concise and predetermined instructions can be broadcast over a SelecTone or public address system. AudioMaster® speakers or SelecTone speaker/amplifiers are available for use with the 306MX in hazardous locations.

Model	Voltage	Operating Current	Sys. Standby Current
306MX	24VDC	760mA	75mA
306MX	120VAC	350mA	0.46mA
306MX	240VAC	175mA	0.23mA

COMMCENTER® DIGITAL MESSAGE CENTER (306MX)



SPECIFICATIONS

Tone Output Levels Max. Load:		
Unbalanced Signal Line		10Vrms (25 ohm max)
Balanced Signal Line		25Vrms (40 ohm max/15 watts)
Signal to Noise Ratio (<1.5% THD)		67dB
Signal Frequency Response:		250 Hz - 3.4 KHz
Net Weight:	22 lbs.	10 kg
Shipping Weight:	25 lbs.	11.3 kg
Exterior		
Height:	6.25"	158.8 mm
Width:	9.75"	247.7 mm
Depth:	9.75"	247.7 mm
Interior		
Height:	5.0"	127 mm
Width:	6.0"	152.4 mm
Depth:	6.0"	152.4 mm

HOW TO ORDER

- Specify model number
- Specify number of messages (up to six)
- Choose message source(s):
 - a. Select from Standard Library (page 139)
 - b. Provide script to be recorded in studio (additional charge incurred)
 - c. Provide cassette tape
 - d. Field record message using the Federal Signal model 306FR recorder/playback unit
- Specify the priority of the messages

REPLACEMENT PARTS

<u>Description</u>	<u>Part Number</u>	<u>Description</u>	<u>Part Number</u>
PC Board Assembly, 24VDC	K2001886	Terminal Block, 7 Position	K140A373A-09
PC Board Assembly, 120/240	K2001886-01	Fuse F1, 250V	K148A155-01
Terminal Block, 3 Position	K140373A-08	Digital Message Chip	K128413A