

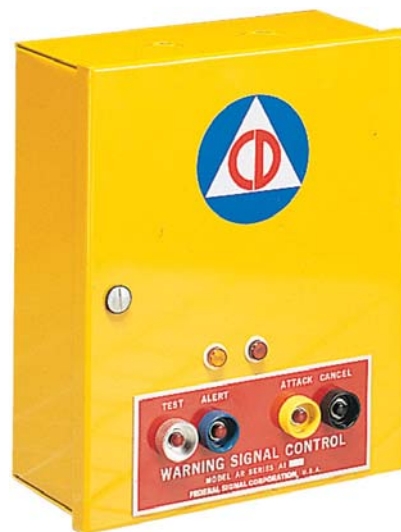
Model AR Timer Mechanical Siren Activating Controls

DESIGNED FOR USE WITH MODEL 2 AND STH10

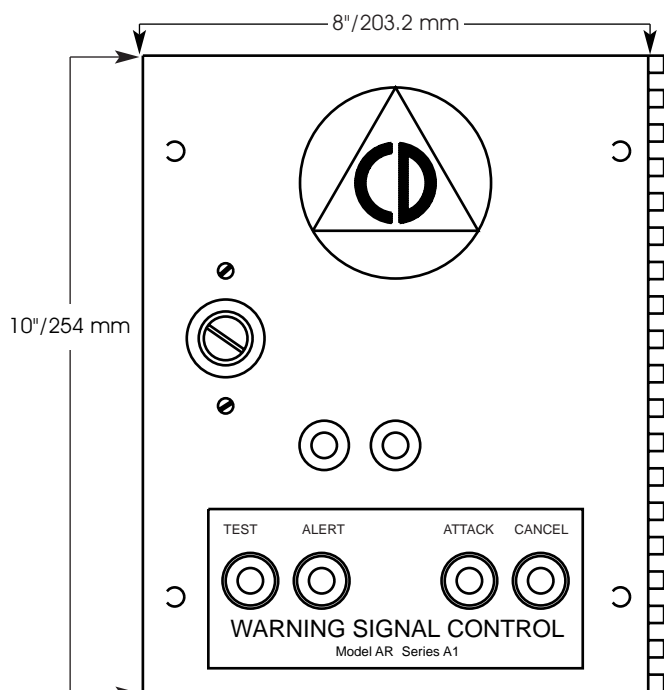
- Model AR provides two signals — alert and attack
- Available in 120/240VAC power

The Model AR timer provides Alert and Attack signals for the Model 2 and the Model STH10, electro-mechanical sirens. The Alert signal is a three minute steady signal, while the Attack is a three minute wail signal.

A Model AR Timer is the activating control for Models 2 and STH10 electro-mechanical sirens.



Catalog No.	Description	Weight/ea	VPE/Pack	EDP-No.
AR	Timer, 120/240VAC, Signals: Steady and Wail Signal Time: 3 Minutes	4,950 kg	1	110611



The Model AR is equipped with push buttons for activating the siren. Both signals are activated by simply pushing a button. In the event of accidental activation, a cancel button permits cancellation of a signal already in progress. A fourth test button is provided which activates the siren for only as long as it is pressed.

Two lights on the front of the timer indicate status; red indicates that the timer is in mid-cycle and amber indicates that power is available to the timer.

SPECIFICATIONS

Net Weight:	10.9 lbs.	4.04 kg
Shipping Weight:	11 lbs.	4.99 kg
Height:	10.0"	254 mm
Depth:	4.0"	101.6 mm
Width:	8.0"	203.2 mm

HOW TO ORDER

- Specify model and voltage
- Call the factory for assistance in specifying an outdoor warning system