

USA / Canada - AudioMaster® Hazardous Location

Model 310X-MV

TWO-WAY INTERCOM FOR HIGH AMBIENT NOISE ENVIRONMENTS

- Heavy-duty industrial intercom for indoor or outdoor applications
- Balanced line output
- Multi-voltage design accepts 24VDC, 120VAC and 240VAC
- UL and cUL Listed, CSA Certified, Marine Listed
- Rated for Class I, Division 2
- Type 4X, IP65 enclosure



Catalog No.	Voltage	Operating Current	Sys. Standby Current	Frequency Response (-6dB)	Input Impedance	VPE/Pack	EDP-No.
310X-MV	24VDC	260mA	62mA	250Hz-5KHz	3400 ohms	1 ea	122586
	120VAC 50/60Hz	163mA	70mA	250Hz-5KHz	3400 ohms		
	240VAC 50/60Hz	82mA	35mA	250Hz-5KHz	3400 ohms		

Description

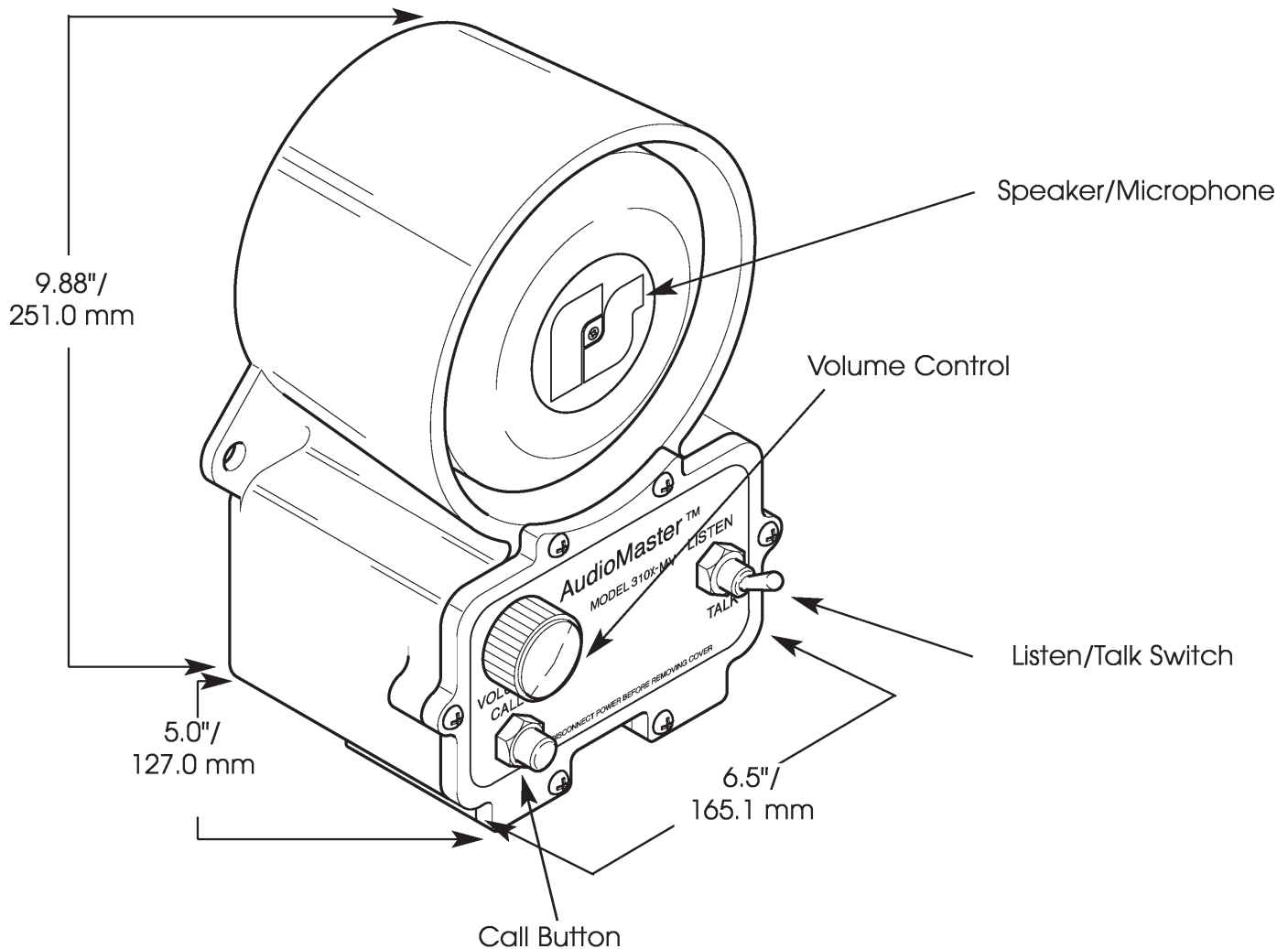
The AudioMaster® 310X-MV is a two-way industrial intercom that provides reliable communications and superior sound quality. This unit has a rugged Type 4X housing and is rated for Class I, Division 2, Groups A, B, C, & D; Class II, Division 2, Groups F & G; and Class III. The AudioMaster® 310X-MV's standard features include volume control, call button, balanced line output, dust- and water-tight housing, listen/talk switch, remote device activation, and the ability to power another intercom at 24VDC. This heavy duty intercom will operate from -31°F to 150°F (-35°C to 66°C) for both indoor and outdoor applications. Remote device activation allows you to activate an auxiliary signal such as a horn or light. The AudioMaster® 310X-MV requires 24VDC, 120VAC or 240VAC to power each unit. The intercom is easy to operate. Press the switch down to talk and release to listen. The AudioMaster® is UL Listed and CSA Certified. The 310X-MV is ideal for use at oil refineries, petrochemical plants, offshore platforms, pulp and paper mills, water treatment facilities, airports, shipyards or anywhere reliable two-way communication is important for safe and efficient operation.

To learn more about B-I-A please visit us at our
 WEB site: www.BiaGmbH.com



USA / Canada - AudioMaster® Hazardous Location

Model 310X-MV



SPECIFICATIONS

Speaker Rating	30 watts	30 watts
Operating Temperature:	-31°F to 150°F	-35°C to 66°C
Net Weight:	10.1 lbs.	4.6 kg
Shipping Weight:	12.0 lbs.	5.4 kg
Height:	9.88"	251.0 mm
Width	6.5"	165.1 mm
Depth:	5.0"	127.0 mm

HOW TO ORDER

- Specify model number

REPLACEMENT PARTS

<u>Description</u>	<u>Part Number</u>	<u>Description</u>	<u>Part Number</u>
PC Board Assembly	K2001915B-02	Kit, potentiometer	K8590237A
Connector, 10 Pin	K140A326A-01	Kit, toggle switch	K8590298A
Resistors, 1K, 1W	K101216A	Kit, call button and boot	K8590241A
Fuse 250V, 1/2 Amp	K148A155A	Fuse F2, 250V	K148A155A-01
Gasket, rubber	K8590013B		