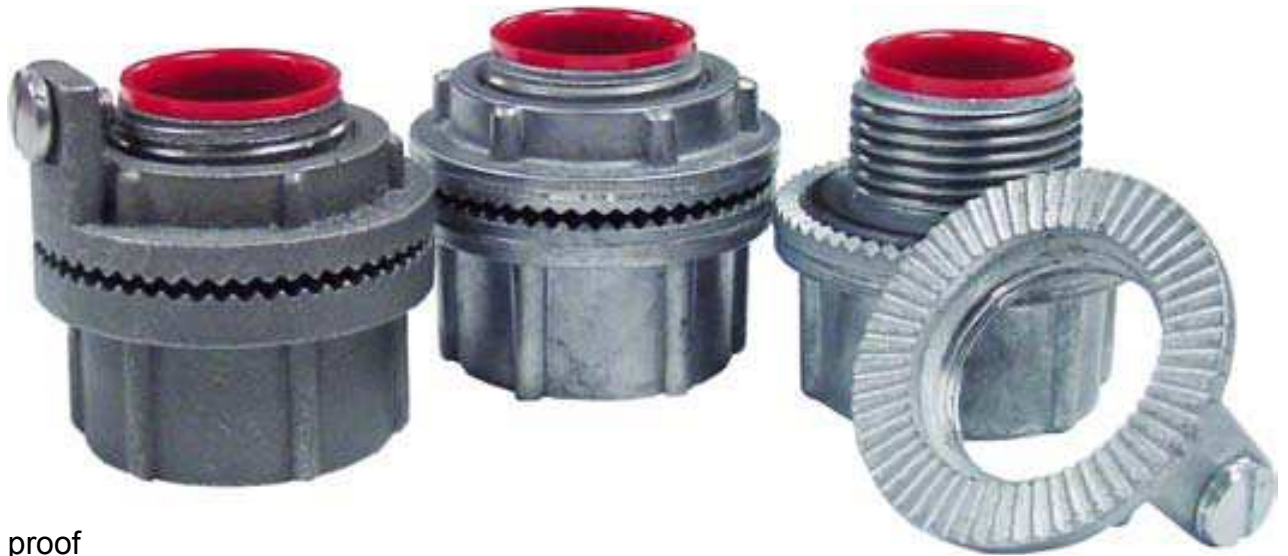


Scru-Tite™ and Ground Hubs



Features

- Vibration proof
- Grounding screw for added safety
- Captive O-ring gasket
- No welding
- Posi-Lok insulated throat (insuliner)
- Fit standard knockouts
- Easy installation
- Controlled thread lengths
- NPSL on male thread
- No sharp edges (along parting line)

Material

- Nut: Zamek-2, Zamek-3, Aluminium (Al 360), Stainless (316)
- Body: Zamek-2, Zamek-3, Aluminium (Al 360), Stainless (316)
- Insuliner: Lexan
- O-Ring: Gasket Vi Ton
- Ground Screw: steel

Standard Finishes

- Aluminum: Natural
- Zinc: Natural

Optional Material/Finishes

- Stainless: Natural
- Aluminium: PVC
- Zinc: Chrome-plate, PVC

Scru-Tite™ and Ground hub are used in the termination of electrical circuits through wall of the enclosure

Certifications

- NEC/CEC: Class I, Division 2
Class II, Division 1 & 2
Class III, Division 1 & 2
when installed in accordance with the NEC.
- UL Listed - UL Standard 514B
- CSA Certified - Certified by UL to CSA standard C22.2 No. 18
- NEMA Type 2, 3, 3R, 4, 4X, 12 (std hub)
NEMA Type 2, 3, 3R, 4, 12 (ground hub)

Applications

- Food Processing Plants
- Distilleries
- Breweries
- Sewage Disposal Plants
- Chemical Plants
- Paper Processing Mills
- Refineries
- Water Desalination Plants
- Plating Plants
- Marine Applications

Scru-Tite™ and Ground Hubs

2. Grounding Screw
for added safety.

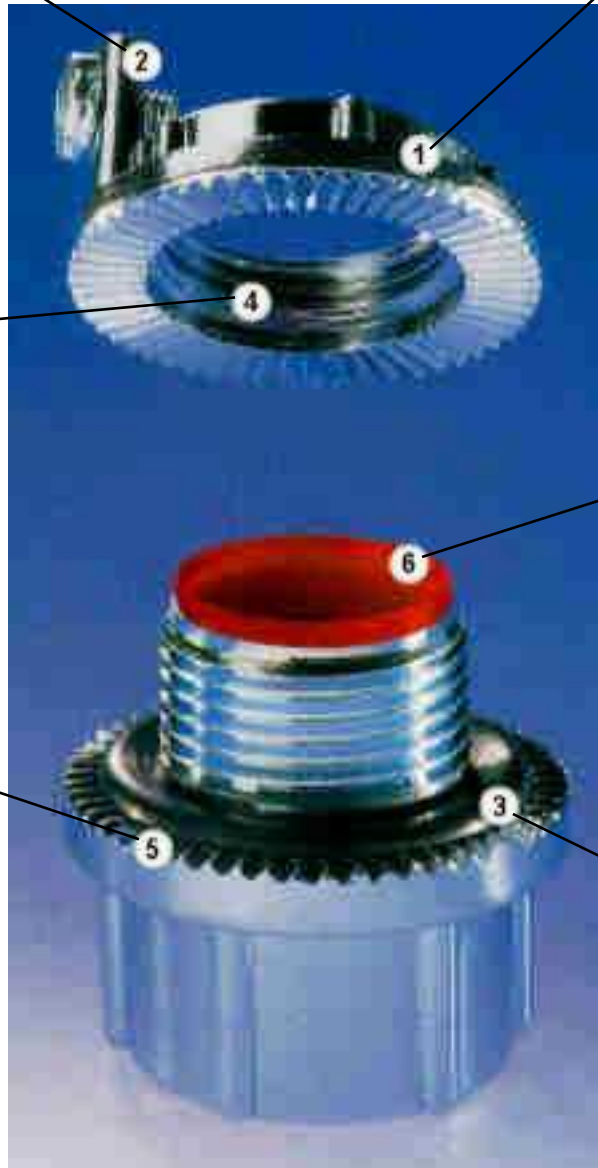
1. Vibration Proof
Strong, oversize nut with radial serrations assures flush installation and positive grounding.

4. Precision Machine Cut NPT Threads
Positive fit and simple installation.

6. Posi-Lok Insulated Throat
Cannot come out. Made from flame retardant Lexan. Standard in sizes from 1/2" through 4".

5. No Welding
Unique serrations on both nut and hub bite into metal assuring a positive electrical ground. (UL approved for use with service entrance conduit.)

3. Captive „O-Ring“ Gasket
Impervious to corrosive moisture and petroleum products. Buna-N gasket assures positive water and dusttight installations.



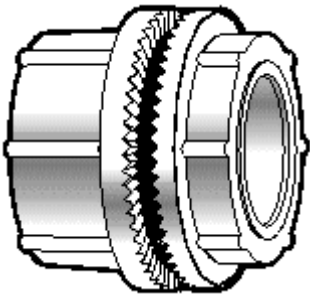
- Complete Size Range - From 1/4" through 6".
- Fit Standard Knockouts - No special tools required.
- Optional Stainless Steel Hubs - Anti-corrosive hub designed especially for corrosion resistance.
- Zinc products available with optional chrome-plate finish (shown above).

Scru-Tite™

Certifications

- NEC/CEC: Class I, Division 2
Class II, Division 1 & 2
Class III, Division 1 & 2
when installed in accordance with the NEC.
- UL Listed - UL Standard 514B
- CSA Certified - Certified by UL
to CSA standard C22.2 No. 18
- NEMA Type 2, 3, 3R, 4, 4X, 12 (std hub)
NEMA Type 2, 3, 3R, 4, 12 (ground hub)





HUB BASIC SCRU-TITE® – NEMA 2, 3, 3R, 4, 4X and 12
ZINC – Optional nickel-chrome plate finish available.†

Catalog Number	Size	Unit Quantity	Standard Package	Weight Lbs. Per 100
ST-03†	3/8	25	250	12
ST-1†	1/2	25	375	20
ST-2†	3/4	25	250	32
ST-3†	1	25	250	40
ST-4†	1 1/4	10	100	60
ST-5†	1 1/2	10	100	70
ST-6†	2	10	60	90
ST-7	2 1/2	5	50	200
ST-8	3	2	30	250
ST-9	3 1/2	2	12	300
ST-10	4	2	12	350
ST-11*	5	1	8	600
ST-12*	6	1	8	800

* not supplied with insulator.
† Optional Nickel-Chrome Plate Finish, add suffix “-CP”.

- Complete Size Range - From 3/8" through 6".
- Fit Standard Knockouts - No special tools required.
- Zinc products available with optional chrome-plate finish (shown above).

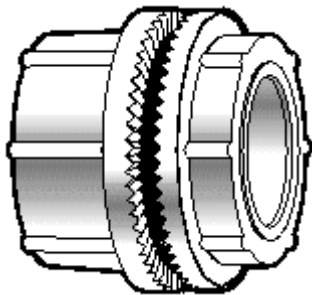
Scru-Tite™

Certifications

- NEC/CEC: Class I, Division 2
Class II, Division 1 & 2
Class III, Division 1 & 2
when installed in accordance with the NEC.
- UL Listed - UL Standard 514B
- CSA Certified - Certified by UL
to CSA standard C22.2 No. 18
- NEMA Type 2, 3, 3R, 4, 4X, 12 (std hub)
NEMA Type 2, 3, 3R, 4, 12 (ground hub)



HUB BASIC SCRUI-TITE® – NEMA 2, 3, 3R, 4, 4X and 12 ALUMINUM					
Catalog Number	Size	Unit Quantity	Standard Package	Weight Lbs. Per 100	
STA-1	1/2	25	375	8	
STA-2	3/4	25	250	16	
STA-3	1	25	250	16	
STA-4	1 1/4	25	100	30	
STA-5	1 1/2	10	100	30	
STA-6	2	10	60	50	
STA-7	2 1/2	5	50	80	
STA-8	3	2	30	100	
STA-9	3 1/2	2	12	150	
STA-10	4	2	12	150	
STA-11	5	1	8	300	
STA-12	6	1	8	300	

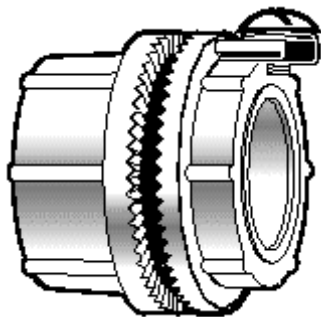


- Complete Size Range - From 1/2" through 6".
- Fit Standard Knockouts - No special tools required.

Scru-Tite™

Certifications

- NEC/CEC: Class I, Division 2
Class II, Division 1 & 2
Class III, Division 1 & 2
when installed in accordance with the NEC.
- UL Listed - UL Standard 514B
- CSA Certified - Certified by UL
to CSA standard C22.2 No. 18
- NEMA Type 2, 3, 3R, 4, 4X, 12 (std hub)
NEMA Type 2, 3, 3R, 4, 12 (ground hub)



GROUND HUB – NEMA 2, 3, 3R, 4 and 12 STAINLESS STEEL – Type 316

Catalog Number	Size	Unit Quantity	Standard Package	Weight Lbs. Per 100
SSTG-1	1/2	10	10	20
SSTG-2	3/4	10	10	32
SSTG-3	1	10	10	44
SSTG-4	1 1/4	5	5	60
SSTG-5	1 1/2	5	5	70
SSTG-6	2	5	5	100
SSTG-7	2 1/2	2	2	
SSTG-8	3	2	2	
SSTG-9	3 1/2	2	2	
SSTG-10	4	2	2	385

Applications: Ideal for pharmaceutical, chemical and food processing, pulp/paper and nuclear industries. Resistant to a variety of chemicals, including acetic, citric and salt water. The O-ring is a special “Viton (75)” and has excellent chemical resistance. Hub is provided with a stainless steel ground nut.

- Complete Size Range - From 1/2" through 4".
- Fit Standard Knockouts - No special tools required.
- Optional Stainless Steel Hubs - Anti-corrosive hub designed especially for corrosion resistance.

Scru-Tite™

Certifications

- NEC/CEC: Class I, Division 2
Class II, Division 1 & 2
Class III, Division 1 & 2
when installed in accordance with the NEC.
- UL Listed - UL Standard 514B
- CSA Certified - Certified by UL
to CSA standard C22.2 No. 18
- NEMA Type 2, 3, 3R, 4, 4X, 12 (std hub)
NEMA Type 2, 3, 3R, 4, 12 (ground hub)



GROUND HUB – NEMA 2, 3, 3R, 4 and 12						
ZINC						
Catalog Number	Size	Unit Quantity	Standard Package	Weight Lbs. Per 100	Max. Copper Grd. Wire Size CSA	UL
STG-1	1/2	25	325	20	#8	#8
STG-2	3/4	25	225	32	#8	#8
STG-3	1	25	150	44	#8	#8
STG-4	1 1/4	10	100	60	#8	#8
STG-5	1 1/2	10	90	70	#6	#8
STG-6	2	10	60	100	#4	#8
STG-7	2 1/2	5	35	200	#2	#6
STG-8	3	2	26	250	1/0	#6
STG-9	3 1/2	2	12	300	2/0	#6
STG-10	4	2	12	350	2/0	#4
STG-11*	5	1	8	600	2/0	#2
STG-12*	6	1	8	800	3/0	#1

* not supplied with insulator.

- Complete Size Range - From 1/2" through 6".
- Fit Standard Knockouts - No special tools required.

Scru-Tite™

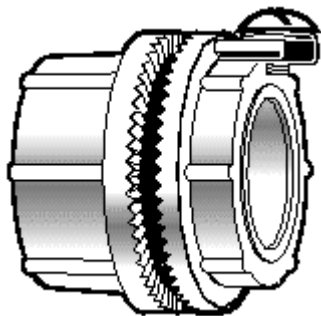
Certifications

- NEC/CEC: Class I, Division 2
Class II, Division 1 & 2
Class III, Division 1 & 2
when installed in accordance with the NEC.
- UL Listed - UL Standard 514B
- CSA Certified - Certified by UL
to CSA standard C22.2 No. 18
- NEMA Type 2, 3, 3R, 4, 4X, 12 (std hub)
NEMA Type 2, 3, 3R, 4, 12 (ground hub)



GROUND HUB – NEMA 2, 3, 3R, 4 and 12						
ALUMINUM - TYPE 360						
Catalog Number	Size	Unit Quantity	Standard Package	Weight Lbs. Per 100	Max. Copper Grd. Wire Size CSA	UL
STAG-1	1/2	25	375	12	#8	#8
STAG-2	3/4	25	250	16	#8	#8
STAG-3	1	25	250	20	#8	#8
STAG-4	1 1/4	10	100	30	#8	#8
STAG-5	1 1/2	10	100	30	#6	#8
STAG-6	2	10	60	50	#4	#8
STAG-7	2 1/2	5	50	100	#2	#6
STAG-8	3	2	30	150	1/0	#6
STAG-9	3 1/2	2	12	150	2/0	#6
STAG-10	4	2	12	150	2/0	#4
STAG-11	5	1	8	300	3/0	#2
STAG-12	6	1	8	400	3/0	#1

- Complete Size Range - From 1/2" through 6".
- Fit Standard Knockouts - No special tools required.



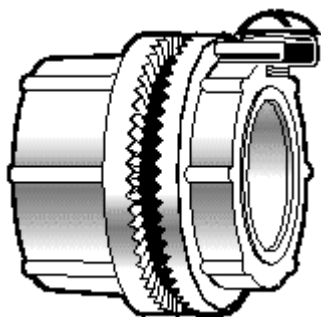
GROUND HUB BASIC SCRU-TITE® – ATEX/IEC APPROVED ZINC

Catalog Number	Size	Unit Quantity	Standard Package	Weight Lbs. Per 100
STGK-1	1/2	10	10	20
STGK-2	3/4	10	10	32
STGK-3	1	10	10	44
STGK-4	1 1/4	5	5	60
STGK-5	1 1/2	5	5	70
STGK-6	2	5	5	100

CENELEC Approval with DEMKO

D 98E. 124658U Class I, ZONE 1, AEx e II,

UL Listed Class I, ZONE 1, Ex e II



GROUND HUB BASIC SCRU-TITE® – ATEX/IEC APPROVED STAINLESS STEEL – TYPE 316

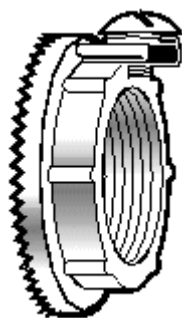
Catalog Number	Size	Unit Quantity	Standard Package	Weight Lbs. Per 100
SSTGK-1	1/2	10	10	20
SSTGK-2	3/4	10	10	32
SSTGK-3	1	10	10	44
SSTGK-4	1 1/4	5	5	60
SSTGK-5	1 1/2	5	5	70
SSTGK-6	2	5	5	100

ATEX Approval with DEMKO

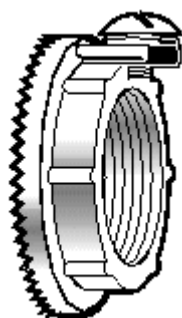
D 98E. 124658U Class I, ZONE 1, AEx e II

UL Listed Class I, ZONE 1, Ex e II

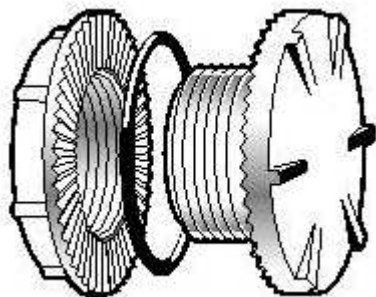
Applications: Ideal for pharmaceutical, chemical and food processing, pulp/paper and nuclear industries. Resistant to a variety of chemicals, including acetic, citric and salt water. The O-ring is a special “Viton (75)” and has excellent chemical resistance. Hub is provided with a stainless steel ground nut.


GROUND NUT – UL and cUL Listed
ZINC

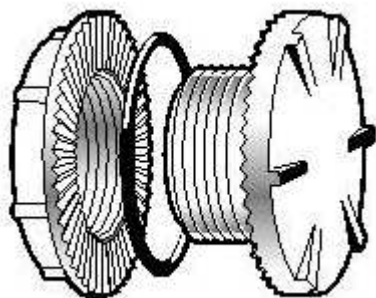
Catalog Number	Size	Unit Quantity	Standard Package	Weight Lbs. Per 100	Max. Copper Grd. Wire Size CSA	UL
STGN-1	1/2	25	375	8	#8	#8
STGN-2	3/4	25	375	12	#8	#8
STGN-3	1	25	375	12	#8	#8
STGN-4	1 1/4	10	150	20	#8	#8
STGN-5	1 1/2	10	150	20	#6	#8
STGN-6	2	10	150	30	#4	#8


GROUND NUT – UL and cUL Listed
ALUMINUM

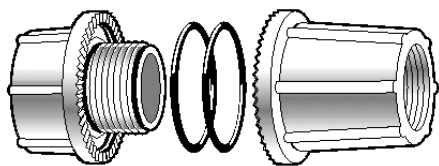
Catalog Number	Size	Unit Quantity	Standard Package	Weight Lbs. Per 100	Max. Copper Grd. Wire Size CSA	UL
STAGN-1	1/2	25	375	4	#8	#8
STAGN-2	3/4	25	375	4	#8	#8
STAGN-3	1	25	375	8	#8	#8
STAGN-4	1 1/4	10	150	10	#8	#8
STAGN-5	1 1/2	10	150	10	#6	#8
STAGN-6	2	10	150	10	#4	#8


CAP-OFF – UL and cUL Listed
ZINC

Catalog Number	Size	Unit Quantity	Standard Package	Weight Lbs. Per 100
STC-1	1/2	25	375	12
STC-2	3/4	25	325	20
STC-3	1	25	225	28
STC-4	1 1/4	10	150	40
STC-5	1 1/2	10	120	50
STC-6	2	10	90	70


CAP-OFF – UL and cUL Listed
ALUMINUM

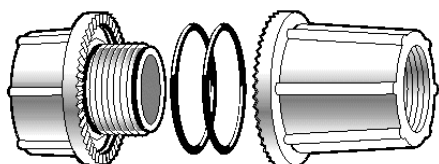
Catalog Number	Size	Unit Quantity	Standard Package	Weight Lbs. Per 100
STAC-1	1/2	25	375	8
STAC-2	3/4	25	375	8
STAC-3	1	25	375	12



THROUGH-BULKHEAD FITTING

ZINC

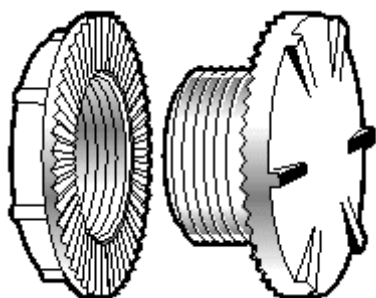
Catalog Number	Size	Unit Quantity	Standard Package	Weight Lbs. Per 100
STTB-1	1/2	5	75	40
STTB-2	3/4	5	75	60
STTB-3	1	5	75	80
STTB-4	1 1/4	5	50	80
STTB-5	1 1/2	5	50	120
STTB-6	2	5	25	160
STTB-7	2 1/2	4	20	250
STTB-8	3	2	20	300
STTB-9	3 1/2	2	12	350
STTB-10	4	2	12	400



THROUGH-BULKHEAD FITTING

ALUMINUM

Catalog Number	Size	Unit Quantity	Standard Package	Weight Lbs. Per 100
STTBA-1	1/2	5	75	20
STTBA-2	3/4	5	75	40
STTBA-3	1	5	75	40
STTBA-4	1 1/4	5	50	40
STTBA-5	1 1/2	5	50	60
STTBA-6	2	5	25	80
STTBA-7	2 1/2	4	20	110
STTBA-8	3	2	20	150

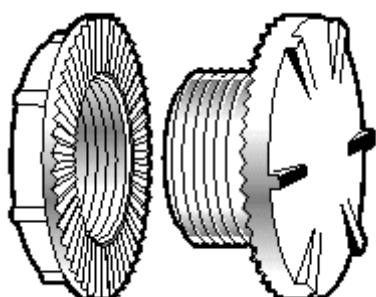


NON-HAZARDOUS DRAIN PLUG – UL Listed

STAINLESS STEEL

Catalog Number	Size	Unit Quantity	Standard Package	Weight Lbs. Per 100
SSTC-1	1/2	25	25	13
SSTC-1CD	1/2	25	25	13

Note: SSTC-1 is for knockouts and is supplied with a locknut and straight threads.
 SSTC-1CD is for threaded openings and is supplied without locknut and NPT threads.
 Not gasketed to allow for water drainage.

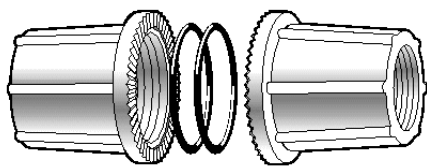


NON-HAZARDOUS DRAIN PLUG – UL Listed

ALUMINUM

Catalog Number	Size	Unit Quantity	Standard Package	Weight Lbs. Per 100
STAC-1ST	1/2	25	25	6
STAC-1CD	1/2	25	25	6

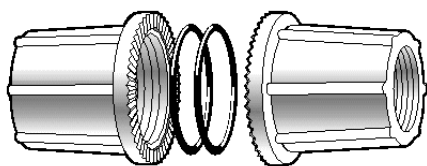
Note: STAC-1ST is for knockouts and is supplied with a locknut and straight threads.
 STAC-1CD is for threaded openings and is supplied without locknut and NPT threads.
 Not gasketed to allow for water drainage.



THROUGH-BULKHEAD FITTING without nipples

ZINC

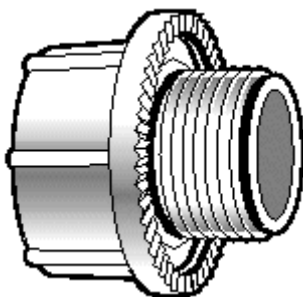
Catalog Number	Size	Unit Quantity	Standard Package	Weight Lbs. Per 100
STTTB-1	1/2	5	75	40
STTTB-2	3/4	5	75	60
STTTB-3	1	5	75	80
STTTB-4	1 1/4	5	50	80
STTTB-5	1 1/2	5	50	120
STTTB-6	2	5	25	180



THROUGH-BULKHEAD FITTING without nipples

ALUMINUM

Catalog Number	Size	Unit Quantity	Standard Package	Weight Lbs. Per 100
STTTBA-1	1/2	5	75	20
STTTBA-2	3/4	5	75	20
STTTBA-3	1	5	75	40
STTTBA-4	1 1/4	5	50	40
STTTBA-5	1 1/2	5	50	60
STTTBA-6	2	5	25	80

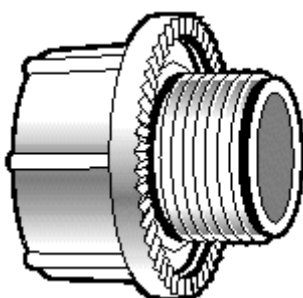


METRIC TO NPT ADAPTER

ZINC

Catalog Number	Size	Unit Quantity	Standard Package	Weight Lbs. Per 100
STM-1	M20 to 1/2	25	25	12
STM-2	M25 to 3/4	25	25	20
STM-3	M32 to 1	25	25	32
STM-4	M40 to 1 1/4	25	25	40
STM-5	M50 to 1 1/2	10	10	50
STM-6	M63 to 2	10	10	70

Note: The Metric to NPT hub adapter is used to convert a threaded metric entry to a NPT entry. The female thread is NPT and the male thread is metric.

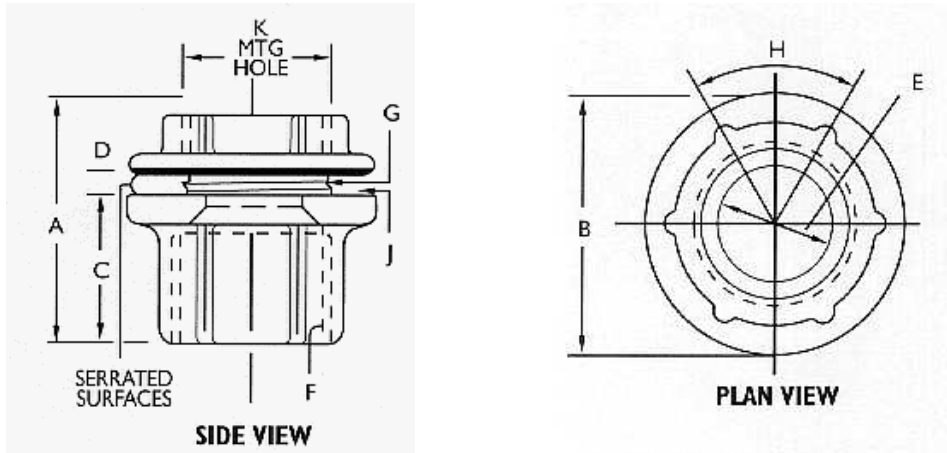


METRIC TO NPT ADAPTER

STAINLESS STEEL

Catalog Number	Size	Unit Quantity	Standard Package	Weight Lbs. Per 100
SSTM-1	M20 to 1/2	10	10	12
SSTM-2	M25 to 3/4	10	10	20
SSTM-3	M32 to 1	10	10	32
SSTM-4	M40 to 1 1/4	5	5	40
SSTM-5	M50 to 1 1/2	5	5	50
SSTM-6	M63 to 2	5	5	70

Note: The Metric to NPT hub adapter is used to convert a threaded metric entry to a NPT entry. The female thread is NPT and the male thread is metric.



„D“ dimension indicated maximum panel thickness which hub will accommodate.

Pipe Size	Catalog Number	A	B	C	D	E		F	G	H	J "O"-Ring		K	
						Min.	Max.				C.S.	O.D.	Min.	Max.
1/4	ST-02	27.8	23.8	16.7	3.2	8.9	9.2	1/4 NPT	1/4 NPS	60°	3.6	19.1	13.9	14.3
3/8	ST-03	27.8	28.6	16.7	3.2	11.9	12.5	3/8 NPT	3/8 NPS	60°	2.4	23.8	17.1	17.5
1/2	ST-1	34.1	36.5	20.6	4.8	15.0	15.8	1/2 NPT	1/2 NPS	60°	3.2	38.1	21.8	22.2
3/4	ST-2	37.3	43.7	23.0	4.8	19.9	20.9	3/4 NPT	3/4 NPS	60°	3.2	36.5	27.0	28.6
1	ST-3	42.1	50.8	26.2	6.4	25.3	26.6	1 NPT	1 NPS	60°	3.2	44.5	33.7	34.9
1 1/4	ST-4	42.9	60.3	26.2	6.4	33.3	35.1	1 1/4 NPT	1 1/4 NPS	60°	3.2	54.0	42.5	44.5
1 1/2	ST-5	42.9	69.9	26.2	6.4	38.8	40.9	1 1/2 NPT	1 1/2 NPS	60°	3.2	63.5	48.8	50.8
2	ST-6	44.5	82.6	27.8	6.4	49.9	27.1	2 NPT	2 NPS	60°	3.2	76.2	60.7	63.5
2 1/2	ST-7	56.4	95.3	32.5	6.4	59.6	62.7	2 1/2 NPT	2 1/2 NPS	60°	3.2	88.9	73.4	76.2
3	ST-8	58.7	111.1	34.9	6.4	74.0	77.9	3 NPT	3 NPS	45°	3.2	104.8	89.3	92.1
3 1/2	ST-9	60.3	127.0	36.5	6.4	85.6	90.1	3 1/2 NPT	3 1/2 NPS	45°	3.2	117.5	102.0	104.8
4	ST-10	61.9	139.7	38.1	6.4	97.2	102.3	4 NPT	4 NPS	45°	3.2	130.2	114.7	117.5
5	ST-11	74.6	174.6	50.8	6.4	121.8	128.2	5 NPT	5 NPS	45°	3.2	165.1	141.7	144.5
6	ST-12	76.2	195.3	50.8	7.9	146.4	154.1	6 NPT	6 NPS	45°	3.2	130.2	184.2	171.5

Tolerance: +/- 0.254 Angular & Draft +/- 0.2°

Spacing Chart for Hubs / Conduit or Pipe Size

Hole Size max. Dia.	1/4	3/8	1/2	3/4	1	1 1/4	1 1/2	2	2 1/2	3	3 1/2	4	5	6
9/16 1/4	27.0*													
11/16 3/8	29.4	31.8*												
7/8 1/2	33.3	35.7	39.7*											
1 1/8 3/4	36.5	38.9	42.9	46.0*										
1 3/8 1	40.5	42.9	46.8	50.0	54.0*									
1 3/4 1 1/4	45.2	47.6	51.6	54.8	58.7	63.5*								
2 1 1/2	50.0	52.4	56.4	59.5	63.5	68.3	73.0*							
2 1/2 2	56.4	58.7	62.7	65.9	69.9	74.6	79.4	85.7*						
3 2 1/2	62.7	65.1	69.1	72.2	76.2	81.0	85.7	92.1	98.4*					
3 5/8 3	70.6	73.0	77.0	80.2	84.1	88.9	93.7	84.1	106.4	114.3*				
4 1/8 3 1/2	78.6	81.0	84.9	88.1	92.1	96.8	101.6	108.0	114.3	122.2	130.2*			
4 5/8 4	84.9	87.3	91.3	94.5	98.4	103.2	108.0	114.3	120.7	128.6	136.5	146.1*		
5 11/16 5	102.4	104.8	108.7	111.9	115.9	120.7	125.4	131.8	138.1	146.1	154.0	160.3	181.0*	
6 3/4 6	111.9	114.3	118.3	121.4	125.4	130.2	134.9	141.3	147.6	155.6	163.5	169.9	187.3	196.9*
	15.1	17.5	21.4	24.6	28.6	33.3	38.1	44.5	50.8	58.7	66.7	73.0	90.5	100.0

Minimum space from center of pipe or conduit to nearest obstruction.

- Dimensions marked with an asterisk (*) are for centers of conduits of same size. Example: How close may 3" conduits be spaced? Answer 114.3mm.
- Dimensions not marked with an asterisk are for centers of conduits NOT of the same size. Example: What is the minimum spacing for 2" and 3/4" conduit? Read down column marked 3/4" to figure opposite 2" and find dimension is 59.5mm.
- Minimum spacing dimensions as shown will give approximately 3.2mm clearance between locking nuts.

MHUB Series

CONDUIT HUBS – MALLEABLE IRON

Features and Benefits

- Male thread type
- Tapered female thread for rigid conduit and IMC
- Recessed O-ring gasket assures raintight and dust tight connections
- Insulated throat provides smooth pulling surface
- Locking screw on the nut doubles as a grounding screw for added safety
- Complete size range from 1/2" to 6"
- Hubs fit standard knockouts
No special tools required

Standard Materials and Finishes

- Material: Malleable Iron
- Finish: Zinc Electroplate

Certifications and Compliances

- Class I, Division 2 – NEC 501.4(B)
- Class II, Divisions 1 & 2 – NEC 502.4(A)(B)
- Class III, Division 1 & 2 – NEC 503.3(A)(B)
- UL Listed – UL Standard 514B
- cUL Listed – Certified by UL to CSA Standard C22.2 No. 18
- NEMA: FB-1
- Suitable for wet locations



CONDUIT HUBS – NEMA FB-1 MALLEABLE IRON

Catalog Number	Size	Unit Quantity	Standard Package	Weight Lbs. Per 100
MHUB1	1/2	25	100	18
MHUB2	3/4	25	100	25
MHUB3	1	5	50	39
MHUB4	1 1/4	5	25	54
MHUB5	1 1/2	2	20	64
MHUB6	2	1	10	98
MHUB7	2 1/2	1	10	196
MHUB8	3	1	5	282
MHUB9	3 1/2	1	5	351
MHUB10	4	1	2	395
MHUB11	5	1	1	717
MHUB12	6	1	1	888

HUB Series

IRON SPACE SAVER CONDUIT HUBS

Features and Benefits

- Male thread is on the nut for space saving
- Quick and easy when installing rigid conduit nipple between two existing enclosures
- Insulated throat provides smooth pulling surface
- Furnished with SG sealing gasket
- Hubs fit standard knockouts No special tools required

Standard Materials and Finishes

- Material: Iron
- Finish: Zinc Electroplate

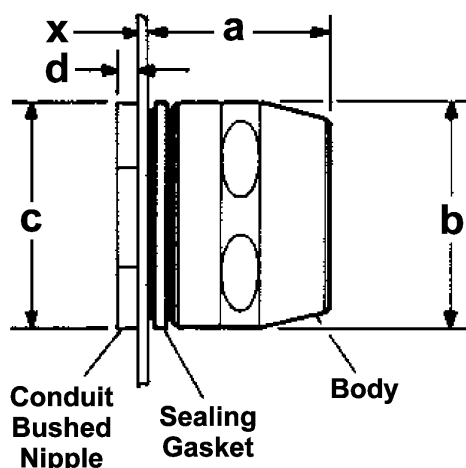
Certifications and Compliances

- Class I, Division 2 – NEC 501.4(B)
- Class II, Divisions 1 & 2 – NEC 502.4(A)(B)
- Class III, Division 1 & 2 – NEC 503.3(A)(B)
- UL Listed – UL Standard 514B
- cUL Listed – Certified by UL to CSA Standard C22.2 No. 18
- NEMA: FB-1
- Suitable for wet locations



SPACE SAVER CONDUIT HUBS – NEMA FB-1 IRON

Catalog Number	Size	Unit Quantity	Standard Package	Weight Lbs. Per 100
HUB1	1/2	25	100	18
HUB2	3/4	10	100	36
HUB3	1	5	50	51
HUB4	1 1/4	5	20	75
HUB5	1 1/2	2	20	94
HUB6	2	1	10	119
HUB7	2 1/2	1	5	238
HUB8	3	1	5	300
HUB9	3 1/2	1	5	388
HUB10	4	1	5	544



Conduit Hub Dimension

Cat. No.	Size	a	b	c	d	x
HUB1	1/2	25.4	31.8	25.4	3.2	3.6
HUB2	3/4	28.6	39.7	34.9	4.0	6.4
HUB3	1	34.9	47.6	41.3	4.8	7.1
HUB4	1 1/4	38.1	58.7	50.8	6.4	11.1
HUB5	1 1/2	41.3	63.5	60.3	6.4	11.1
HUB6	2	42.9	76.2	71.4	6.4	11.1
HUB7	2 1/2	55.6	92.1	87.3	6.4	11.1
HUB8	3	61.9	108.0	103.2	6.4	11.1
HUB9	3 1/2	61.9	120.7	119.1	7.9	19.1
HUB10	4	65.1	133.4	128.6	7.9	28.6

NOTE: Dimension "x" is maximum wall thickness of box that will meet the requirement for three full threads engagement of nipple and fitting body when liquidtight box connector or rigid conduit hub is installed in a knockout or slip hole.