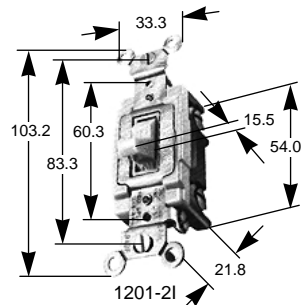


Top-of-the-Line Switches for Heavy Duty Applications



- UL verified to meet highest Federal Specification WS-896
- Tamperproof Lock Switches prevent unauthorized switching.
- Lighted-Handle Switches have illuminated toggles in the OFF position for visual load monitoring.
- Switch mechanism is fully enclosed in a rugged urea housing providing outstanding strength, track and arc resistance.
- One-piece movable contact arm of heavy gauge copper alloy guarantees smooth, quiet, consistently firm toggle action.
- Large silver-cadmium oxide contacts insure long live by preventing sticking, welding and excessive pitting.

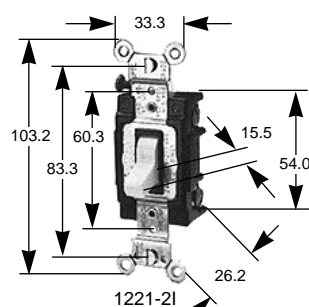
- Color-coded covers provide instant identification of amperage: 15 Amp - blue, 20 Amp - red, 30 Amp - green. Canadian 347V switches 15A and 20 A available on request.
- Deep wire wells for back wiring and large head, deep-slotted terminal screws (backed out and staked) facilitate fast, easy wiring & both accept up to #10 AWG copper & copper clad wire.
- Shallow body, only 3/4 inch (19.1mm) deep, provides more room in outlet box for faster installation.
- Heavy-gauge rust-resistant steel grounding screw and clip. (Self-grounding when installed in a properly grounded metal wallbox).
- All devices are UL Listed and CSA Certified where applicable.



15 Amp 120/277V AC, 1/2 HP at 120V, 2 HP at 240V, Industrial Grade, Back and Side-Wired			Federal Spec. WS-896		
Catalog No.	Color	Description	Wt/ea ¹	VPE/Pack ²	EDP #
1201-2I	Ivory	Single Pole Toggle, SPST, UL+CSA	91	50/10	D
1202-2I	Ivory	Double Pole Toggle, DPST, UL+CSA	114	20/10	D
1203-2I	Ivory	3-Way Toggle, SPDT, UL+CSA	91	20/10	D
1204-2I	Ivory	4-Way Toggle, UL+CSA	114	20/10	D

Also Side-Wired only, w/Pilot Light, w/Lighted Handle and Key-Locking Versions available.

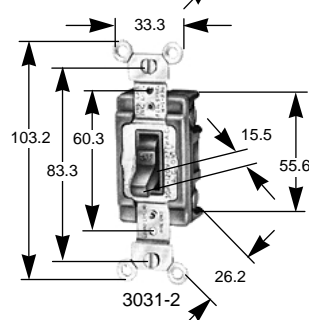
Colors: -2 Brown, -2I Ivory, -2W White, -2GY Gray, -2R Red, -2E Black



20 Amp 120/277V AC, 1 HP at 120V, 2 HP at 240V, Industrial Grade, Back and Side-Wired			Federal Spec. WS-896		
Catalog No.	Color	Description	Wt/ea ¹	VPE/Pack ²	EDP #
1221-2I	Ivory	Single Pole Toggle, SPST, UL+CSA	96	50/10	D
1222-2I	Ivory	Double Pole Toggle, DPST, UL+CSA	120	20/10	D
1223-2I	Ivory	3-Way Toggle, SPDT, UL+CSA	96	20/10	D
1224-2I	Ivory	4-Way Toggle, UL+CSA	120	20/10	D

Also Side-Wired only, w/Pilot Light, w/Lighted Handle and Key-Locking Versions available.

Colors: -2 Brown, -2I Ivory, -2W White, -2GY Gray, -2R Red, -2E Black



30 Amp 120/277V AC, 2 HP at 120V, 2 HP at 240V, Industrial Grade, Back and Side-Wired			Federal Spec. WS-896		
Catalog No.	Color	Description	Wt/ea ¹	VPE/Pack ²	EDP #
3031-2I	Ivory	Single Pole Toggle, SPST, UL+CSA	100	10	D
3032-2I	Ivory	Double Pole Toggle, DPST, UL+CSA	125	10	D
3033-2I	Ivory	3-Way Toggle, SPDT, UL+CSA	100	10	D

Also with Pilot Light, with Lighted Handle and Key-Locking Versions available.

Colors: -2 Brown, -2I Ivory, -2W White

¹Wt/ea - net-weight each (grams).

²VPE/Pack - standard package and inventory class (A-C = stock item, D = non-stock item, X = discontinued).