

Sheet-Steel Light Fittings

6014 Series (Zone 1)

6414 Series (Zones 2, 21, 22)

Series 6014 and 6414 light fittings are preferred for use in spraying and painting installations but also in clean rooms.



- With electronic ballast
- For two-pin fluorescent lamps
- 1-, 2-, 3- or 4-lamp versions available
- Versions:
 - Pendant light fittings
 - Wall-mounting light fittings
 - Recessed light fittings

- Powder-coated sheet-steel or stainless steel
- Central lock
- All-pole disconnection via NC switch in positive opening operation when glass cover is opened (6014 Series)
- With hinged glass-cover
With hinged reflector plate

To learn more about B-I-A please visit us at our
WEB site: www.BiaGmbH.com



Selection table

Version	Lamp wattage W	Number of lamps	Width mm	Ordering code	Weight kg
6014/5 Pendant light fitting (Zone 1)	18	1	280	6014/5121-8011-6230	10,060
		2	280	6014/5122-9011-6230	10,800
		3	380	6014/5223-9011-6230	17,600
		4	380	6014/5224-9011-6230	18,100
	36	1	280	6014/5141-8011-6230	17,000
		2	280	6014/5142-9011-6230	17,500
		3	380	6014/5243-9011-6230	25,500
		4	380	6014/5244-9011-6230	26,500
	58	1	280	6014/5161-8011-6230	20,000
		2	280	6014/5162-9011-6230	20,500
		3	380	6014/5263-9011-6230	30,500
		4	380	6014/5264-9011-6230	31,500
6014/6 Wall-mounting light fitting (Zone 1)*	18	1	280	6014/6121-8011-6230	10,090
		2	280	6014/6122-9011-6230	11,500
		3	380	6014/6223-9011-6230	18,000
		4	380	6014/6224-9011-6230	18,500
	36	1	280	6014/6141-8011-6230	17,400
		2	280	6014/6142-9011-6230	20,900
		3	380	6014/6243-9011-6230	25,900
		4	380	6014/6244-9011-6230	26,900
	58	1	280	6014/6161-8011-6230	20,500
		2	280	6014/6162-9011-6230	20,900
		3	380	6014/6263-9011-6230	30,900
		4	380	6014/6264-9011-6230	31,900
6014/7 Recessed light fitting (Zone 1)	18	1	280	6014/7121-8011-6230	12,300
		2	280	6014/7122-9011-6230	11,000
		3	380	6014/7223-9011-6230	19,000
		4	380	6014/7224-9011-6230	19,500
	36	1	280	6014/7141-8011-6230	18,400
		2	280	6014/7142-9011-6230	18,100
		3	380	6014/7243-9011-6230	27,500
		4	380	6014/7244-9011-6230	19,500
	58	1	280	6014/7161-8011-6230	22,100
		2	280	6014/7162-9011-6230	21,800
		3	380	6014/7263-9011-6230	32,800
		4	380	6014/7264-9011-6230	33,800

Add. to ordering code

Through wiring	without		6014/.....0..
	with 3 cores		6014/.....3..
	with 5 cores		6014/.....5..
Cable entries	Standard	1 cable gland M 25 x 1,5, 1 cable gland M 25 x 1,5 with integrated plug and 1 plugs M 25 x 1,5	6014/.....1... .
	Special	Specify non-standard entries on writing	6014/.....9... .
Material	Standard	Sheet-steel, powder-coated -> no specification required	
	Special	Stainless steel 1.4301 (AISI 316Ti) -> state with order	

Note

The light fittings are supplied without tubes and mounting material. These must be ordered separately.
* Wall-mounting brackets must be ordered separately.

Selection table

Version	Lamp wattage W	Number of lamps	Width mm	Ordering code	Weight kg
6414/5 Pendant light fitting (Zones 2, 21, 22)	18	1	280	6414/5121-8..0	10,600
		2	280	6414/5122-8..0	11,100
		3	380	6414/5223-8..0	17,600
		4	380	6414/5224-8..0	18,100
	36	1	280	6414/5141-8..0	17,000
		2	280	6414/5142-8..0	17,500
		3	380	6414/5243-8..0	25,500
		4	380	6414/5244-8..0	26,500
	58	1	280	6414/5161-8..0	20,000
		2	280	6414/5162-8..0	20,500
		3	380	6414/5263-8..0	30,500
		4	380	6414/5264-8..0	31,500
6414/6 Wall-mounting light fitting* (Zones 2, 21, 22)	18	1	280	6414/6121-8..0	10,900
		2	280	6414/6122-8..0	11,500
		3	380	6414/6223-8..0	11,500
		4	380	6414/6224-8..0	18,500
	36	1	280	6414/6141-8..0	17,400
		2	280	6414/6142-8..0	17,900
		3	380	6414/6243-8..0	25,900
		4	380	6414/6244-8..0	26,900
	58	1	280	6414/6161-8..0	20,500
		2	280	6414/6162-8..0	20,900
		3	380	6414/6263-8..0	30,900
		4	380	6414/6264-8..0	31,900
6414/7 Recessed light fitting (Zones 2, 21, 22)	18	1	280	6414/7121-8..0	12,300
		2	280	6414/7122-8..0	12,800
		3	380	6414/7223-8..0	19,000
		4	380	6414/7224-8..0	19,500
	36	1	280	6414/7141-8..0	18,400
		2	280	6414/7142-8..0	19,400
		3	380	6414/7243-8..0	27,500
		4	380	6414/7244-8..0	28,500
	58	1	280	6414/7161-8..0	18,400
		2	280	6414/7162-8..0	22,600
		3	380	6414/7263-8..0	32,800
		4	380	6414/7264-8..0	33,800

Add. to ordering code

Through wiring	without	6414/.....0..
	with 3 cores	6414/.....3..
	with 5 cores	6414/.....5..
Cable entries	Standard 1 cable gland M 25 x 1,5 and 2 plugs M 25 x 1,5	6414/.....1...
	Special Specify non-standard entries on writing	6414/.....9...
Material	Standard Sheet-steel, powder-coated -> no specification required	
	Special Stainless steel 1.4301 (AISI 316Ti) -> state with order	

Note

The light fittings are supplied without tubes and mounting material. These must be ordered separately.
* Wall-mounting brackets must be ordered separately.

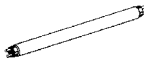
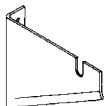

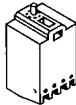
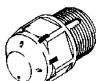
Technical Data

Version	6014 (Zone 1)	6414 (Zone 2, 21, 22)			
Explosion protection					
Gas explosion protection	Ⓔ II 2G EEx ed IIC T4	Ⓔ II 3G EEx n A II T4			
Dust explosion protection		Zone 21: Ⓔ II 2D IP65 T 74 °C Zone 22: Ⓔ II 3D IP65 T 74 °C			
Certificates					
for gas explosion protection	PTB 99 ATEX 2029	Zone 2: SNCH 01 ATEX 3281			
for dust explosion protection		Zone 21: SNCH 03 ATEX 3572 Zone 22: SNCH 03 ATEX 3572			
Marking	CE 0102				
Rated voltage	AC: 220 V - 10% ... 240 V + 10%; 50/60 Hz DC: 198 V ... 254 V				
Rated current	For light fittings with				
	1 lamp	2 lamps			
	3 lamps	4 lamps			
	18 W	0,1 A	0,18 A	0,28 A	0,36 A
	36 W	0,18 A	0,33 A	0,51 A	0,66 A
	58 W	0,25 A	0,49 A	0,74 A	0,98 A
Power factor cos φ	cos φ ≥ 0,96 capacitive; additional compensation not required				
Ambient temperature	- 20 °C ... + 50 °C				
Lamps	Two-pin fluorescent lamps; 26 mm diameter; for holder G13 1 x 18 W; 2 x 18 W; 3 x 18 W; 4 x 18 W; 1 x 36 W; 2 x 36 W; 3 x 36 W; 4 x 36 W; 1 x 58 W; 2 x 58 W; 3 x 58 W; 4 x 58 W				
Protection	IP 65				
Protection class	I (with internal PE-terminal)				
Material					
Housing	Standard	Sheet-steel, powder-coated, colour white, similar to RAL 9016			
	Special	Stainless steel 1.4301 (AISI 304)			
Gasket	EPDM formed gasket				
Lens	Safety glass				
Central lock	Central locking; glass cover hinged for access				
Light guides	Reflector plate, can be swung out				
Connections	Line-up terminals, 0,5 mm ² ... 4 mm ² solid / flexible				
Switch-off	of light fitting on opening power to ballast is disconnected; switching element with 2 NC contacts in positive opening operation of faulty lamps if lamp is faulty, power supply is automatically switched off by the electronic ballast	of light fitting on opening power to ballast is not disconnected of faulty lamps if lamp is faulty, power supply is automatically switched off by the electronic ballast			
Cable glands	Standard	1 cable gland M 25 x 1,5 and 2 plug M 25 x 1,5			
	Special	Specify non-standard entries in writing			

Technical Data

Mounting	Pendant light fitting	Light fitting top has 2 M 8 threaded rivets which allow use of different mounting parts, e. g. ring bolts.
	Wall-mounting light fitting	Each small end is fitted with one M 12 threaded bolt. The light fitting is hooked-in by these bolts to the mounting brackets and secured by lock nuts. The light fittings angle of inclination is infinitely variable.
	Recessed light fitting	Mounting frames with fixing holes are welded-on. Light fitting is inserted into ceiling cut-out and fixed via mounting frame. The frames are flush with the glass cover.

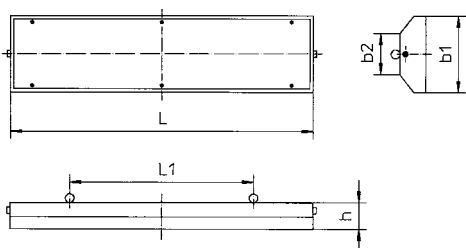
Accessories and spare parts

Designation	Illustration	Description	Ordering code	Weight kg
Fluorescent lamps		18 W 1100 lm	4617220	0,100
		36 W 2600 lm	4617210	0,200
		58 W 4100 lm	4617200	0,283
Wall-mounting bracket		Material: Sheet steel 1 pair	4617180	1,000
		For light fittings width: 280 mm		
		Material: Sheet steel 1 pair	4617190	1,200
		For light fittings width: 380 mm		
Ring bolt		M 8, to mount directly into inserts, 1 pair	6000803900	0,100
Switch		Switch element 8080/1-3-L, 2 NC	8080006600	0,025
Breathing gland		for ventilating and draining M 25 x 1.5	6000803960	0,010

To learn more about B-I-A please visit us at our
WEB site: www.BiaGmbH.com

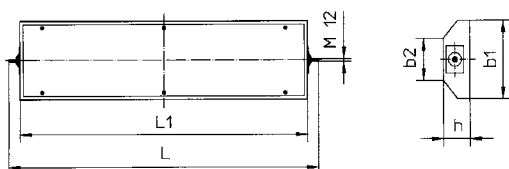


Dimension drawings (all dimensions in mm) - subject to alterations



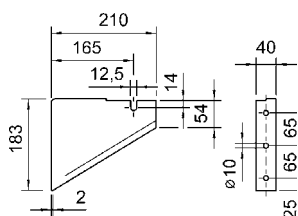
Version		Dimensions in mm				
Wattage	Number of lamps	L	L1	h	b1	b2
18 W	1	730	550	120	280	206
	2	730	550	120	280	206
	3	730	550	120	380	246
	4	730	550	120	380	246
36 W	1	1340	950	120	280	206
	2	1340	950	120	280	206
	3	1340	950	120	380	246
	4	1340	950	120	380	246
58 W	1	1640	1250	120	280	206
	2	1640	1250	120	280	206
	3	1640	1250	120	380	246
	4	1640	1250	120	380	246

Pendant light fitting 6014/5 and 6414/5

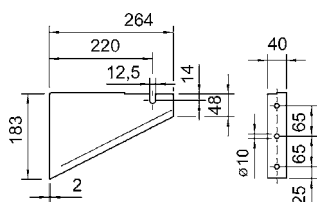


Version		Dimensions in mm				
Wattage	Number of lamps	L	L1	h	b1	b2
18 W	1	830	730	120	280	206
	2	830	730	120	280	206
	3	830	730	120	380	246
	4	830	730	120	380	246
36 W	1	1440	1340	120	280	206
	2	1440	1340	120	280	206
	3	1440	1340	120	380	246
	4	1440	1340	120	380	246
58 W	1	1740	1640	120	280	206
	2	1740	1640	120	280	206
	3	1740	1640	120	380	246
	4	1740	1640	120	380	246

Wall-mounting light fitting 6014/6 and 6414/6

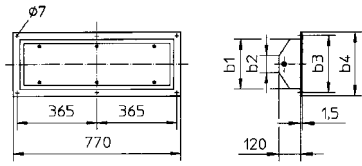


Wall-mounting bracket for light fitting 6014/6 and 6414/6 narrow version (280 mm)

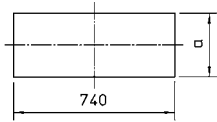


Wall-mounting bracket for light fitting 6014/6 and 6414/6 broad version (380 mm)

Dimension drawings (all dimensions in mm) - subject to alterations



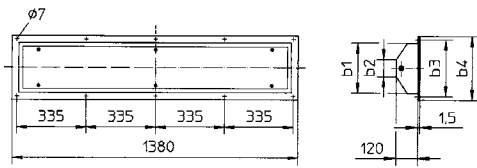
Light fitting



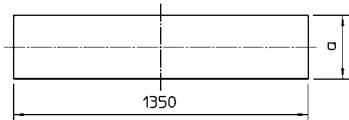
Version	Wattage	Number of lamps	Dimensions in mm				
			b1	b2	b3	b4	a
	18 W,	1	280	206	305	320	290
	36 W,	2	280	206	305	320	290
	58 W	3	380	246	405	420	390
		4	380	246	405	420	390

Cut-Out

Recessed light fitting 18 W 6014/7 and 6414/7

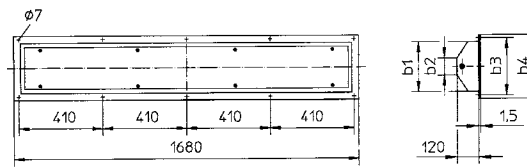


Light fitting

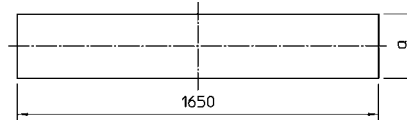


Cut-Out

Recessed light fitting 36 W 6014/7 and 6414/7



Light fitting



Cut-Out

Recessed light fitting 58 W 6014/7 and 6414/7

We reserve the right to make alterations to the technical data, weights, dimensions, designs and products available without notice. The illustrations cannot be considered binding.

To learn more about B-I-A please visit us at our
WEB site: www.BiaGmbH.com

