



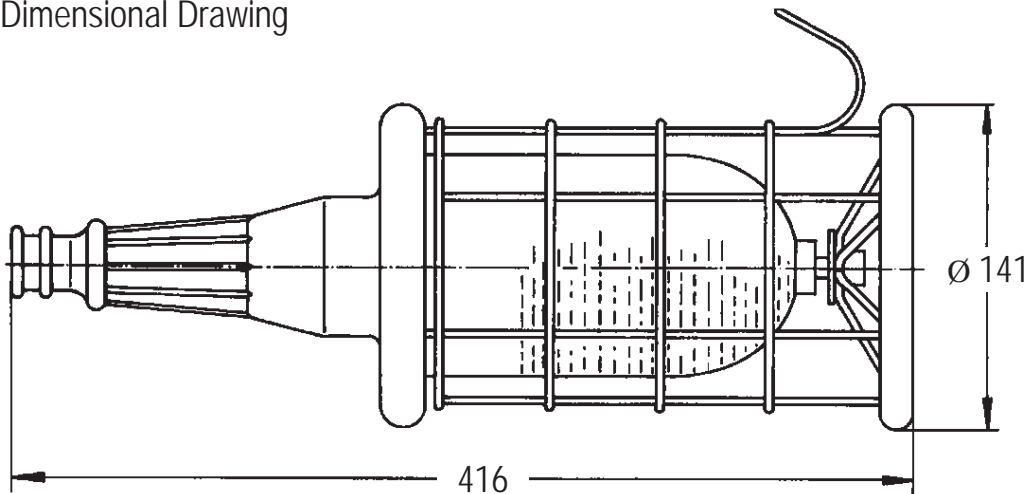
6147 - Series Hand Lamp

- Explosion protection to: CENELEC, IEC
- Can be used: in Zone 1 and Zone 2, in Zone 21 and Zone 22
- For incandescent lamps up to 60 W
- Can be supplied with or without fitted connection lead
- Hand grip of soft rubber vulcanized around an aluminium reinforcement
- Wire guard of zinc-coated or plastic-coated steel wire available
- Glass cover resistant to temperature changes

Series 6147 hand lamp can be used for local working illumination in locations with explosive gas or dust atmosphere.

Catalog No.	Description	Wght/ea	EDP-No.
6147/2-1	with galvanized wire guard	2.200 kg	117101
6147/2-2	with galvanized and PVC wire guard	2.628 kg	120947
Note: 1) With connection lead and Ex-plug - state with order 2) Light fittings are supplied without lamps - see accessories			

Dimensional Drawing



To learn more about B-I-A please visit us at our
WEB site: www.BiaGmbH.com



Technical Data

Explosion protection

Gas explosion protection Ⓔ II 2 G EEx ed IIC T.
 220 V ... 230 V 25 W, 40 W, 60 W T4
 24 V / 42 V 25 W, 40 W, 60 W T3

Dust explosion protection Ⓔ II 2 D IP65 T145 °C

Certificates

Gas explosion protection PTB 02 ATEX 2115

Dust explosion protection PTB 02 ATEX 2115

Material

Housing Light metal, coated with vulcanized soft rubber to form a handle

Wire guard Steel wire, galvanized and painted, PVC coated if required

Glass Pressed glass, resistant to temperature changes

Shock absorbing ring Soft rubber

Lamps

Lampholder E 27

Lamp Incandescent lamp, in 25 W, 40 W or 60 W

Note Only incandescent lamps impact resistant of the companies OSRAM and RADIUM to DIN 49 810 part 5 may be used!

Rated voltage 24 V; 42 V; 230 V

Protection class II (insulated)

Degree of protection IP 65 protected against water jets and dust

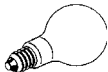
Ambient temperature - 20 °C ... + 40 °C

Cover fixing M 8, hexagon head screw



Connection Terminals 1,5 mm²
 Outer sheath made of tough polychlorophene or comparably wear-resistant material.
 Use in 24 V, 42 V applications requires a connector cable that is heat-resistant to at least 110 °C.

Cable entry M 20 with cable tension reliever for connection wire diameter of 8,5 mm ... 12 mm

Accessories and spare parts

Designation	Illustration	Description	Ordering code	Weight
				kg
Incandescent lamp		E 27 230 V ▽ 25 W	5126210	0,042
		E 27 230 V ▽ 40 W	5126220	0,044
		E 27 230 V ▽ 60 W	5126230	0,030
		E 27 24 V ▽ 25 W	4616250	0,044
		E 27 24 V ▽ 40 W	4616260	0,042
		E 27 24 V ▽ 60 W	4616270	0,042
		E 27 42 V ▽ 25 W	4616280	0,032
		E 27 42 V ▽ 40 W	4616290	0,042
		E 27 42 V ▽ 60 W	4616300	0,042

Accessories and spare parts

Designation	Illustration	Description	Ordering code	Weight kg
Wire guard		Steel wire galvanized	3856210	0,751
		galvanized / PVC-coated	3856220	0,600
Replacement glass			3856230	0,600

To learn more about B-I-A please visit us at our
WEB site: www.BiaGmbH.com

