

Pulling Elbows

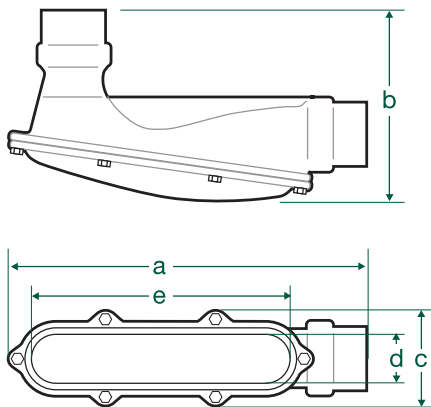
Pulling elbows are used at 90° bends in conduit runs to allow straight pulls at bends, to serve as pull outlets for stiff conductors, to allow for service entrance into buildings or to allow conductor entrance into motors. Electrical continuity of the conduit system is maintained across assembled joints.

FEATURES

- 40 mil gray PVC exterior coating
- 2 mil green urethane interior coating
- 10 trade sizes from 1/2" through 4"
- Sealing sleeves on all conduit openings
- Molded-in seal between body and cover
- Domed covers allow gentle bends of conductors
- Shipped with covers
- Angled covers allow straight pulling in either direction

COMPLIANCES

- UL Listed Standard 514B
- CSA Standard: C22.2 No. 18



PULLING ELBOWS LBD

Pipe Size	FERROUS CATALOG #	Nominal Weight	A	B	C	D	E	ALUMINUM CATALOG #
1/2"	LBD-1100	1.2	5.54	2.85	1.39	1.00	3.34	LBD-1100-A
3/4"	LBD-2200	2.0	7.04	3.42	1.64	1.25	4.53	LBD-2200-A
1"	LBD-3300	2.5	7.29	3.98	1.89	1.50	4.34	LBD-3300-A
1-1/4"	LBD-4400	6.0	9.92	5.54	3.58	1.81	7.19	LBD-4400-A
1-1/2"	LBD-5500	11.5	13.98	6.98	4.71	2.63	10.88	LBD-5500-A
2"	LBD-6600	18.0	14.48	7.48	4.71	2.63	10.88	LBD-6600-A
2-1/2"	LBD-7700	22.0	21.73	11.60	5.71	3.00	15.75	LBD-7700-A
3"	LBD-8800	35.0	21.73	11.60	5.71	3.00	15.75	LBD-8800-A
3-1/2"	LBD-9900	60.0	29.85	13.92	7.21	4.00	24.00	LBD-9900-A
4"	LBD-10900	70.0	29.85	13.92	7.21	4.00	24.00	LBD-10900-A