

### Conduit Bodies For General Service Locations

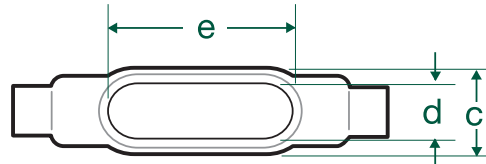
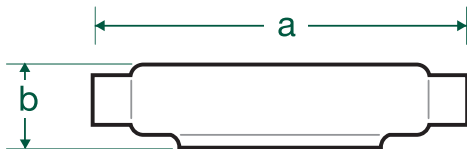
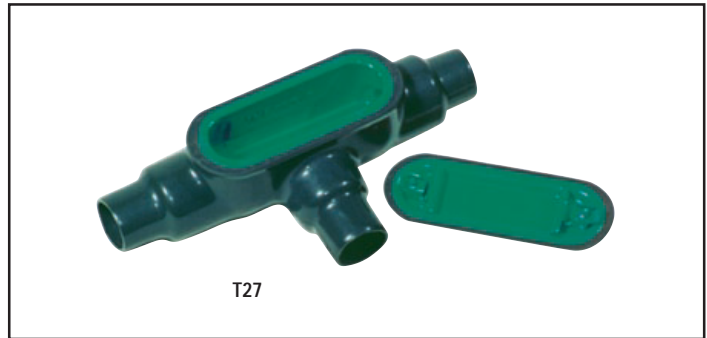
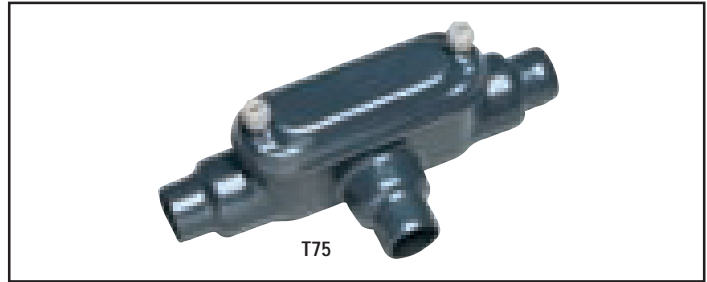
Conduit bodies with covers are offered in Form 8 and Form 7 styles, each with numerous configurations to provide a complete coated conduit system. May be used to make 90° bends, for pull outlets, to provide for taps or splices, to act as a mounting outlet for wiring devices or lighting fixtures etc. Electrical continuity of the conduit system is maintained across assembled joints.

#### FEATURES

- 40 mil gray PVC exterior coating
- 2 mil green urethane internal coating
- 10 trade sizes from 1/2" through 4"
- Sealing sleeves on all conduit openings
- Form 7 style cover uses retained stainless screw and wedge clip design
- Form 8 style cover uses plastic encapsulated stainless steel screws with retainers built into covers for trade sizes 1/2" through 2".

#### COMPLIANCES

- UL Listed Standard 514B
  - CSA Standard: C22.2 No. 18
- Note: Form 7 fittings are not available with encapsulated screws.  
All cover screws are stainless steel. Form 8 fittings are shipped with encapsulated screws.



C FORM 8

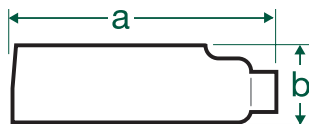
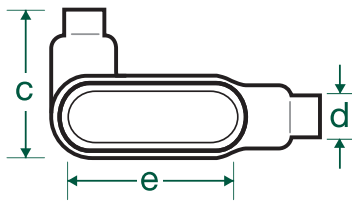
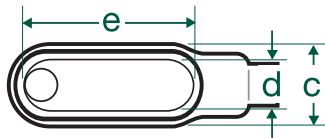
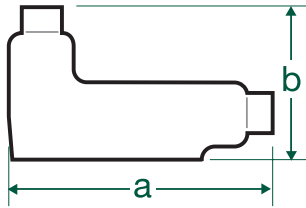
Pipe Size	FERROUS CATALOG #	Nominal Weight	A	B	C	D	E	ALUMINUM CATALOG #
1/2"	C50	2.0	6.69	1.48	1.46	1.00	3.31	C50-A
3/4"	C75	2.3	7.78	1.73	1.27	1.19	3.94	C75-A
1"	C100	2.8	9.31	1.98	1.83	1.38	4.56	C100-A
1-1/4"	C125	4.5	11.00	2.42	2.27	1.75	5.31	C125-A
1-1/2"	C150	6.5	13.38	2.82	2.83	2.13	6.50	C150-A
2"	C200	10.3	14.25	3.60	3.83	3.00	8.56	C200-A
2-1/2"	C250	18.0	17.63	4.48	5.08	4.25	10.88	C250-A
3"	C300	20.5	17.63	4.85	5.08	4.25	10.88	C300-A
3-1/2"	C350*	10.0	20.75	5.73	6.33	5.44	13.44	C350*
4"	C400*	12.0	20.75	5.73	6.33	5.44	13.44	C400*

C FORM 7

Pipe Size	FERROUS CATALOG #	Nominal Weight	A	B	C	D	E	ALUMINUM CATALOG #
1/2"	C17	1.0	6.38	1.42	1.46	0.94	3.19	C17-A
3/4"	C27	1.4	7.50	1.67	1.64	1.13	3.81	C27-A
1"	C37	2.2	9.00	1.92	1.83	1.38	4.50	C37-A
1-1/4"	C47	2.7	9.94	2.35	2.27	1.75	5.00	C47-A
1-1/2"	C57	4.0	11.19	2.60	2.52	1.94	5.44	C57-A
2"	C67	5.5	11.19	3.17	3.08	2.44	6.38	C67-A
2-1/2"	C77	10.0	14.00	3.67	4.33	3.56	8.38	C77-A
3"	C87	11.8	13.75	4.42	4.33	3.56	8.38	C87-A

\* Standard material is copper-free aluminum

### Conduit Bodies For General Service Locations



#### LB FORM 8

Pipe Size	FERROUS CATALOG #	Nominal Weight	A	B	C	D	E	ALUMINUM CATALOG #
1/2"	LB50	1.5	5.48	2.26	1.42	1.00	3.31	LB50-A
3/4"	LB75	2.0	6.35	2.48	1.60	1.19	3.94	LB75-A
1"	LB100	2.9	7.51	2.85	1.79	1.38	4.56	LB100-A
1-1/4"	LB125	4.1	8.82	3.38	2.23	1.75	5.31	LB125-A
1-1/2"	LB150	6.5	10.67	4.07	2.79	2.13	6.50	LB150-A
2"	LB200	8.2	13.04	4.85	3.79	3.00	8.56	LB200-A
2-1/2"	LB250	18.2	15.98	6.17	5.04	4.25	10.88	LB250-A
3"	LB300	21.2	15.98	6.54	5.04	4.25	10.88	LB300-A
3-1/2"	LB350	31.2	18.92	7.60	6.29	5.44	13.44	LB350-A
4"	LB400	32.0	18.92	7.85	6.29	5.44	13.44	LB400-A

#### LB FORM 7

Pipe Size	FERROUS CATALOG #	Nominal Weight	A	B	C	D	E	ALUMINUM CATALOG #
1/2"	LB17	1.1	5.10	2.29	1.42	0.94	3.19	LB17-A
3/4"	LB27	1.7	5.98	2.54	1.6	1.13	3.81	LB27-A
1"	LB37	2.2	7.04	2.92	1.79	1.38	4.50	LB37-A
1-1/4"	LB47	3.1	7.79	3.35	2.23	1.75	5.00	LB47-A
1-1/2"	LB57	3.8	8.67	3.73	2.48	1.94	5.44	LB57-A
2"	LB67	5.2	10.17	4.29	3.04	2.44	6.38	LB67-A
2-1/2"	LB77	10.0	12.54	5.17	4.29	3.56	8.38	LB77-A
3"	LB87	13.0	12.54	5.92	4.29	3.56	8.38	LB87-A
3-1/2"	LB97	19.0	14.73	6.60	5.29	4.50	10.25	LB97-A
4"	LB107	18.5	14.73	7.10	5.29	4.50	10.25	LB107-A

#### LL FORM 8

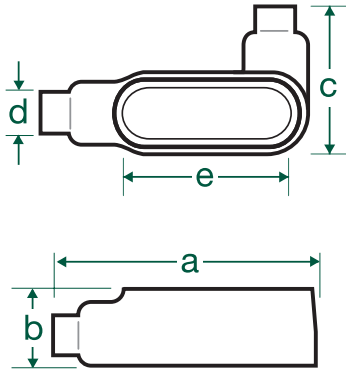
Pipe Size	FERROUS CATALOG #	Nominal Weight	A	B	C	D	E	ALUMINUM CATALOG #
1/2"	LL50	1.4	5.48	1.48	2.20	1.00	3.31	LL50-A
3/4"	LL75	2.1	6.35	1.73	2.35	1.19	3.94	LL75-A
1"	LL100	2.6	7.51	1.98	2.67	1.38	4.56	LL100-A
1-1/4"	LL125	4.2	8.82	2.42	3.20	1.75	5.31	LL125-A
1-1/2"	LL150	6.2	10.67	2.82	4.04	2.13	6.50	LL150-A
2"	LL200	10.5	13.04	3.60	5.04	3.00	8.56	LL200-A
2-1/2"	LL250	19.0	15.98	4.48	6.73	4.25	10.88	LL250-A
3"	LL300	21.5	15.98	4.85	6.73	4.25	10.88	LL300-A
3-1/2"	LL350*	21.5	14.73	4.92	6.98	4.50	10.25	LL350*
4"	LL400*	24.5	14.73	5.42	6.98	4.50	10.25	LL400*

#### LL FORM 7

Pipe Size	FERROUS CATALOG #	Nominal Weight	A	B	C	D	E	ALUMINUM CATALOG #
1/2"	LL17	1.2	5.1	1.42	2.29	0.94	3.19	LL17-A
3/4"	LL27	1.6	5.98	1.67	2.48	1.13	3.81	LL27-A
1"	LL37	2.1	7.04	1.92	2.79	1.38	4.50	LL37-A
1-1/4"	LL47	3.0	7.79	2.35	3.23	1.75	5.00	LL47-A
1-1/2"	LL57	4.1	8.67	2.60	3.60	1.94	5.44	LL57-A
2"	LL67	5.7	10.17	3.17	4.17	2.44	6.38	LL67-A
2-1/2"	LL77	10.0	12.54	3.67	5.79	3.56	8.38	LL77-A
3"	LL87	12.7	12.54	4.42	5.79	3.56	8.38	LL87-A
3-1/2"	LL97	19.0	14.73	4.92	6.98	4.50	10.25	LL97-A
4"	LL107	19.0	14.73	5.42	6.98	4.50	10.25	LL107-A

\* Standard material is copper-free aluminum

### Conduit Bodies For General Service Locations



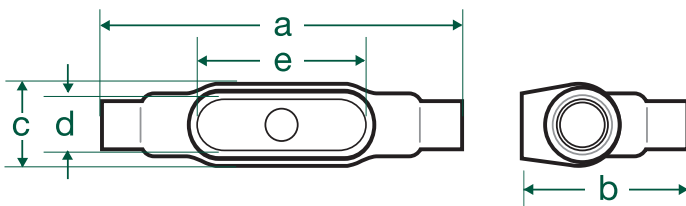
#### LR FORM 8

Pipe Size	FERROUS CATALOG #	Nominal Weight	A	B	C	D	E	ALUMINUM CATALOG #
1/2"	LR50	1.4	5.48	1.48	2.20	1.00	3.31	LR50-A
3/4"	LR75	2.1	6.35	1.73	2.35	1.19	3.94	LR75-A
1"	LR100	2.6	7.51	1.98	2.67	1.38	4.56	LR100-A
1-1/4"	LR125	4.5	8.82	2.42	3.20	1.75	5.31	LR125-A
1-1/2"	LR150	6.2	10.67	2.82	4.04	2.13	6.50	LR150-A
2"	LR200	10.7	13.04	3.60	5.04	3.00	8.56	LR200-A
2-1/2"	LR250	17.7	15.98	4.48	6.73	4.25	10.88	LR250-A
3"	LR300	18.0	15.98	4.85	6.73	4.25	10.88	LR300-A
3-1/2"	LR350*	21.0	14.73	4.92	6.98	4.50	10.25	LR350*
4"	LR400*	24.0	14.73	5.42	6.98	4.50	10.25	LR400*

\* Standard material is copper-free aluminum

#### LR FORM 7

Pipe Size	FERROUS CATALOG #	Nominal Weight	A	B	C	D	E	ALUMINUM CATALOG #
1/2"	LR17	1.2	5.10	1.42	2.29	0.94	3.19	LR17-A
3/4"	LR27	1.6	5.98	1.67	2.48	1.13	3.81	LR27-A
1"	LR37	2.1	7.04	1.92	2.79	1.38	4.50	LR37-A
1-1/4"	LR47	3.0	7.79	2.35	3.23	1.75	5.00	LR47-A
1-1/2"	LR57	4.1	8.67	2.60	3.60	1.94	5.44	LR57-A
2"	LR67	5.7	10.17	3.17	4.17	2.44	6.38	LR67-A
2-1/2"	LR77	10.0	12.54	3.67	5.79	3.56	8.38	LR77-A
3"	LR87	12.7	12.54	4.42	5.79	3.56	8.38	LR87-A
3-1/2"	LR97	19.0	14.73	4.92	6.98	4.50	10.25	LR97-A
4"	LR107	19.0	14.73	5.42	6.98	4.50	10.25	LR107-A



#### TB FORM 8

Pipe Size	FERROUS CATALOG #	Nominal Weight	A	B	C	D	E	ALUMINUM CATALOG #
1/2"	TB50	2.0	6.69	3.57	1.46	1.00	3.31	TB50-A
3/4"	TB75	2.3	7.78	3.79	1.64	1.19	3.94	TB75-A
1"	TB100	3.1	9.31	4.17	1.83	1.38	4.56	TB100-A
1-1/4"	TB125	5.2	11.00	4.38	2.27	1.75	5.31	-
1-1/2"	TB150	7.0	13.38	5.07	2.83	2.13	6.50	-
2"	TB200	11.0	16.25	5.85	3.83	3.00	8.56	-

#### TB FORM 7

Pipe Size	FERROUS CATALOG #	Nominal Weight	A	B	C	D	E	ALUMINUM CATALOG #
1/2"	TB17	1.6	6.63	2.67	1.64	0.94	3.19	TB17-A
3/4"	TB27	2.1	7.75	2.92	1.83	1.13	3.81	TB27-A
1"	TB37	2.7	9.25	3.29	2.08	1.38	4.50	TB37-A
1-1/4"	TB47	3.7	9.94	3.35	2.27	1.75	5.00	TB47-A
1-1/2"	TB57	4.7	11.19	5.04	2.52	1.94	5.44	TB57-A
2"	TB67	7.0	13.19	6.17	3.08	2.44	6.38	TB67-A

### Conduit Bodies For General Service Locations

#### X FORM 8

Pipe Size	FERROUS CATALOG #	Nominal Weight	A	B	C	D	E	ALUMINUM CATALOG #
1/2"	X50	2.0	6.69	3.91	1.79	1.00	3.31	X50-A
3/4"	X75	2.6	7.78	4.56	2.04	1.19	3.94	X75-A
1"	X100	3.1	9.31	5.50	2.29	1.38	4.56	X150-A
1-1/4"	X125	5.2	11.00	6.63	2.67	1.75	5.31	-
1-1/2"	X150	7.5	13.38	8.25	2.51	2.13	6.50	-
2"	X200	11.7	16.25	10.25	3.60	3.00	8.56	-

#### X FORM 7

Pipe Size	FERROUS CATALOG #	Nominal Weight	A	B	C	D	E	ALUMINUM CATALOG #
1/2"	X17	1.7	6.63	3.35	1.79	0.94	3.19	X17-A
3/4"	X27	2.4	7.75	3.54	2.04	1.13	3.81	X27-A
1"	X37	2.7	9.25	4.04	2.29	1.38	4.50	X37-A
1-1/4"	X47	3.6	9.94	4.17	2.35	1.75	5.00	X47-A
1-1/2"	X57	5.0	11.19	4.67	2.60	1.94	5.44	X57-A
2"	X67	7.5	13.19	5.23	3.17	2.44	6.38	X67-A

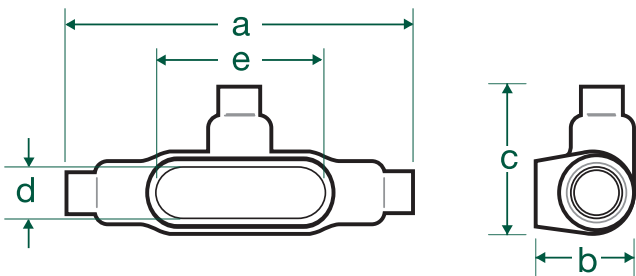
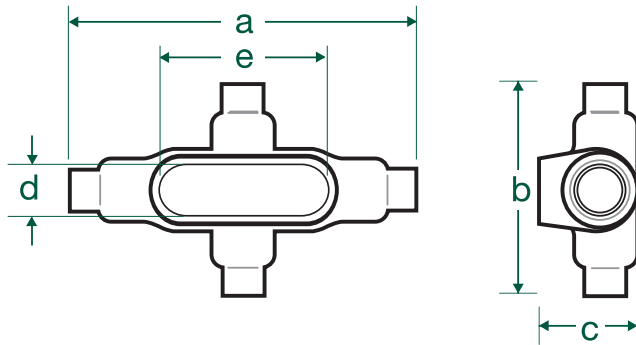
#### T FORM 8

Pipe Size	FERROUS CATALOG #	Nominal Weight	A	B	C	D	E	ALUMINUM CATALOG #
1/2"	T50	1.8	6.69	1.79	2.20	1.00	3.31	T50-A
3/4"	T75	2.5	7.78	2.04	2.35	1.19	3.94	T75-A
1"	T100	3.3	9.31	2.29	2.67	1.38	4.56	T100-A
1-1/4"	T125	4.9	11.00	2.67	3.20	1.75	5.31	T125-A
1-1/2"	T150	7.5	13.38	2.82	4.04	2.13	6.50	T150-A
2"	T200	11.7	16.25	3.60	5.04	3.00	8.56	T200-A
2-1/2"	T250	19.8	19.63	4.48	6.73	4.25	10.88	T250-A
3"	T300	23.5	19.63	4.85	6.73	4.25	10.88	T300-A
3-1/2"	T350*	21.0	22.75	5.73	8.17	5.44	13.44	T350*
4"	T400*	24.0	22.75	5.98	8.17	5.44	13.44	T400*

\* Standard material is copper-free aluminum

#### T FORM 7

Pipe Size	FERROUS CATALOG #	Nominal Weight	A	B	C	D	E	ALUMINUM CATALOG #
1/2"	T17	1.5	6.63	1.79	2.48	0.94	3.19	T17-A
3/4"	T27	2.1	7.75	2.04	2.67	1.13	3.81	T27-A
1"	T37	2.9	9.25	2.29	3.04	1.38	4.50	T37-A
1-1/4"	T47	3.6	9.94	2.35	3.23	1.75	5.00	T47-A
1-1/2"	T57	4.5	11.19	2.60	3.60	1.94	5.44	T57-A
2"	T67	6.5	13.19	3.17	4.17	2.44	6.38	T67-A
2-1/2"	T77	10.7	16.00	3.67	5.79	3.56	8.38	T77-A
3"	T87	15.4	16.06	4.42	5.79	3.56	8.38	T87-A
3-1/2"	T97	19.0	18.31	4.92	6.98	4.50	10.25	T97-A
4"	T107	21.0	18.31	5.42	6.98	4.50	10.25	T107-A



#### REPLACEMENT SCREW KITS

CATALOG #	Description
SCREW KIT 1	1/2-3/4 FORM 8 ENCAP SCREWS
SCREW KIT 2	1-1 1/4 FORM 8 ENCAP SCREWS
SCREW KIT 3	1 1/2 FORM 8 ENCAP SCREWS
SCREW KIT 4	2 FORM 8 ENCAP SCREWS
SCREW KIT 5	2 1/2-3 FORM 8 ENCAP SCREWS
SCREW KIT 6	3 1/2-4 FORM 8 ENCAP SCREWS
SCREW KIT 7	1/2 OE ENCAP SCREWS
SCREW KIT 8	3/4 OE ENCAP SCREWS
SCREW KIT 9	1 1/4 LBD ENCAP SCREWS
SCREW KIT 10	1 1/2 LBD ENCAP SCREWS
SCREW KIT 11	2 LBD ENCAP SCREWS
SCREW KIT 12	2 1/2-3 LBD ENCAP SCREWS
SCREW KIT 13	2 1/2-3 MARK 9 ENCAP SCREWS
SCREW KIT 14	3 1/2-4 MARK 9 ENCAP SCREWS

### Conduit Bodies For General Service Locations

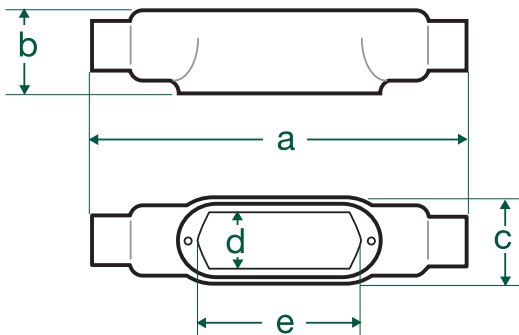
Mogul style conduit bodies are offered in numerous configurations to provide a complete coated conduit system. Mogul BG Covers are sold separately. Mogul style fitting bodies have long openings and may be used to make bends in conduit runs, for pull outlets for stiff conductors, to provide additional room for taps or splices, etc. Electrical continuity of the conduit system is maintained across assembled joints.

#### FEATURES

- 40 mil gray PVC exterior coating
- 2 mil green urethane interior coating
- 8 trade sizes from 1" through 4"
- Sealing sleeves on all conduit openings
- Molded-in seal between bodies and covers
- Large cover openings provide ample room

#### COMPLIANCES

- UL Listed Standard 514B
- CSA Standard: C22.2 No. 18



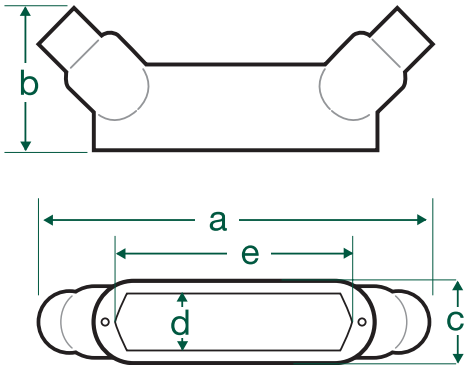
#### C8X

Pipe Size	FERROUS CATALOG #	Nominal Weight	A	B	C	D	E	ALUMINUM CATALOG #
1"	C8X-100G	3.2	7.31	1.92	2.27	1.88	6	C8X-100-A
1-1/4"	C8X-125G	4.2	8.50	2.35	2.27	1.88	6	C8X-125-A
1-1/2"	C8X-150G	6.0	10.38	2.60	3.08	2.63	10	C8X-150-A
2"	C8X-200G	7.0	12.25	3.17	3.08	2.63	10	C8X-200-A
2-1/2"	C8X-250G	13.8	15.63	3.67	4.33	3.81	15	C8X-250-A
3"	C8X-300G	17.5	15.63	4.42	4.33	3.81	15	C8X-300-A
3-1/2"	C8X-350G	25.0	18.75	4.92	5.33	4.75	20	C8X-350-A
4"	C8X-400G	28.0	18.75	5.42	5.33	4.75	20	C8X-400-A

#### BG COVERS

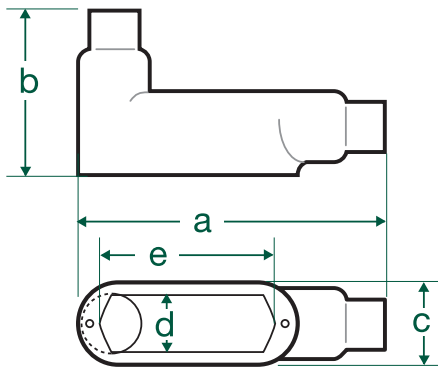
FERROUS CATALOG #	Description	Nominal Weight	ALUMINUM CATALOG #
BG48	1 - 1 1/4 BG COVER MOGUL	2.5	BG48-A
BG68	1 1/2 - 2 BG COVER MOGUL	3.2	BG68-A
BG88	2 1/2 - 3 BG COVER MOGUL	6.4	BG88-A
BG98	3 - 4 BG COVER MOGUL	9.8	BG98-A

### Conduit Bodies For General Service Locations



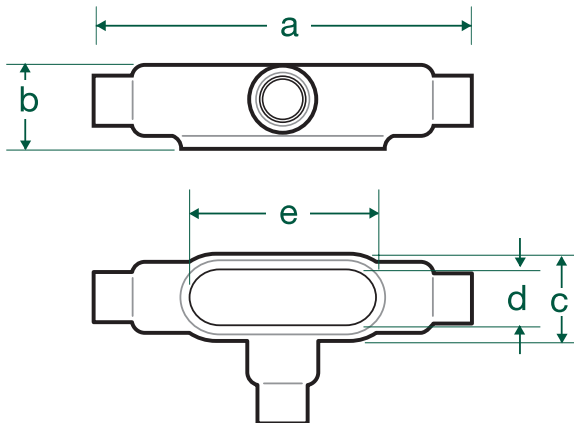
#### UB6X

Pipe Size	FERROUS CATALOG #	Nominal Weight	A	B	C	D	E	ALUMINUM CATALOG #
1"	UB6X-100G	3.2	10.19	2.73	2.27	1.88	6	UB6X-100-A
1-1/4"	UB6X-125G	4.0	11.06	3.23	2.27	1.88	6	UB6X-125-A
1-1/2"	UB6X-150G	5.9	15.00	3.54	3.08	2.63	10	UB6X-150-A
2"	UB6X-200G	7.8	15.50	4.17	3.08	2.63	10	UB6X-200-A
2-1/2"	UB6X-250G	12.5	19.75	4.85	4.33	3.81	15	UB6X-250-A
3"	UB6X-300G	17.0	19.88	5.67	4.33	3.81	15	UB6X-300-A
3-1/2"	UB6X-350G	25.0	25.38	6.42	5.33	4.75	20	UB6X-350-A
4"	UB6X-400G	28.0	25.25	6.85	5.33	4.75	20	UB6X-400-A



#### LB6X

Pipe Size	FERROUS CATALOG #	Nominal Weight	A	B	C	D	E	ALUMINUM CATALOG #
1"	LB6X-100G	3.2	9.63	2.88	2.27	1.88	6	LB6X-100-A
1-1/4"	LB6X-125G	4.2	9.88	3.32	2.27	1.88	6	LB6X-125-A
1-1/2"	LB6X-150G	6.0	14.23	3.67	3.08	2.63	10	LB6X-150-A
2"	LB6X-200G	7.0	14.73	4.23	3.08	2.63	10	LB6X-200-A
2-1/2"	LB6X-250G	13.8	18.95	5.13	4.33	3.81	15	LB6X-250-A
3"	LB6X-300G	17.5	18.95	5.88	4.33	3.81	15	LB6X-300-A
3-1/2"	LB6X-350G	25.0	24.17	6.54	5.33	4.75	20	LB6X-350-A
4"	LB6X-400G	28.0	24.17	7.04	5.33	4.75	20	LB6X-400-A



#### T8X

Pipe Size	FERROUS CATALOG #	Nominal Weight	A	B	C	D	E	ALUMINUM CATALOG #
1"	T8X-100G	3.2	11.56	1.92	4.20	1.88	6	T8X-100-A
1-1/4"	T8X-125G	3.6	12.06	2.35	4.45	1.88	6	T8X-125-A
1-1/2"	T8X-150G	7.5	16.75	2.60	5.60	2.63	10	T8X-150-A
2"	T8X-200G	9.0	17.75	3.17	6.10	2.63	10	T8X-200-A
2-1/2"	T8X-250G	15.0	22.38	3.67	7.63	3.81	15	T8X-250-A
3"	T8X-300G	19.0	22.38	4.42	7.76	3.81	15	T8X-300-A
3-1/2"	T8X-350G	29.0	27.75	4.92	8.92	4.75	20	T8X-350-A
4"	T8X-400G	32.0	27.75	5.42	8.92	4.75	20	T8X-400-A