

## Sealing Fittings

Sealing Fittings are used in conduit runs to stop gasses, vapors or flames from migrating from one part of the conduit system to another. This limits the spread of any potential explosion, enhancing safety. The PVC and urethane coatings of the fittings protects them from corrosive atmospheres so they can continue to function in hazardous locations. These fittings are available in several different configurations and with optional breathers and drains to accommodate installation in a variety of locations and positions. The EY, EYM, EYD and EYDEF styles of fittings are for installation in vertical conduit runs. The EYA, EYAM and EYSEF style fittings are for installation in either vertical or horizontal runs. The EZS and EZDM style fittings may be used in any angle of conduit run.

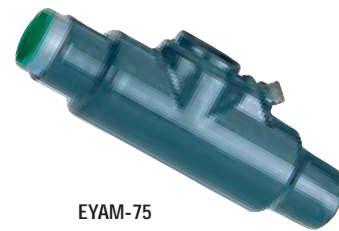
These sealing fittings should be used with a suitable system of sealing compound, such as Chico A, Chico X or Chico A-P from Crouse-Hinds (available on request). Follow the installation instructions included with the sealing compound.

### FEATURES

- 40 mil gray PVC exterior coating
- 2 mil green urethane interior coating
- 10 trade sizes from 1/2" through 4"
- Sealing sleeves on all conduit openings
- EYDX and EYSX seals have 40% wire fill capacity
- EYD and EZD fittings include a drain for condensate
- EZD fittings may be used at any conduit angle and include drain

### COMPLIANCES

- |  |                             |
|--|-----------------------------|
| • EYS 50-400   | • EYAM 50-400               |
| • EYD 50-400   | • EYSEF 50-300              |
| • EYM 50-100   | • EYD 50-400                |
| • EZDM 50-300  | • EYDEF 50-400              |
| Class I, Groups C, D                                 | Class I, Groups C, D        |
| Class II, Groups E, F, G                             | Class II, Groups E, F, G    |
| Class III  | Class III                   |
| • EY-50, 75, 100                                     | • UL Standard 886           |
| • EYA-50, 75, 100, 125, 150, 200, 250, 300, 350, 400 | • CSA Standard: C22.2 No.30 |
| Class I, Groups A, B, C, D                           |                             |
| Class II, Groups E, F, G                             |                             |
| Class III  |                             |



EYAM-75



EYD-75

EYM-75



EZSM-50



EZS-75

## Sealing Fittings

### EY - FEMALE HUBS

FOR SEALING IN VERTICAL POSITIONS ONLY

Pipe Size	FERROUS Catalog #	Nominal Weight	A	B	Turning Radius	Aluminum Catalog #
1/2"	EY-50	1.0	4.28	1.33	1.63	EY-50-A
3/4"	EY-75	1.5	5.25	1.58	1.91	EY-75-A
1"	EY-100	2.1	6.31	1.83	2.38	EY-100-A

### EYM - MALE/FEMALE HUBS

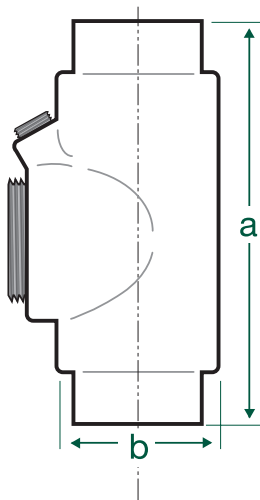
FOR SEALING IN VERTICAL POSITIONS ONLY

Pipe Size	FERROUS Catalog #	Nominal Weight	A	B	Turning Radius	Aluminum Catalog #
1/2"	EYM-50	1.5	4.78	1.33	1.63	EYM-50-A
3/4"	EYM-75	1.5	5.25	1.58	1.91	EYM-75-A
1"	EYM-100	2.3	6.31	1.83	2.38	EYM-100-A

### EYA - FEMALE HUBS FOR SEALING

IN VERTICAL OR HORIZONTAL POSITIONS

Pipe Size	FERROUS Catalog #	Nominal Weight	A	B	Turning Radius	Aluminum Catalog #
1/2"	EYA-50	1.3	4.69	1.33	1.16	EYA-50-A
3/4"	EYA-75	1.1	5.19	1.58	1.25	EYA-75-A
1"	EYA-100	2.2	6.31	1.83	1.38	EYA-100-A
1-1/4"	EYA-125	3.0	7.56	2.27	1.72	-
1-1/2"	EYA-150	3.8	8.50	2.52	2.06	-
2"	EYA-200	5.5	10.25	3.08	2.31	-
2-1/2"	EYA-250	10.0	11.50	3.58	2.69	EYA-250-A
3"	EYA-300	11.2	12.50	4.33	3.31	EYA-300-A
3-1/2"	EYA-350	14.5	13.19	4.83	3.44	EYA-350-A
4"	EYA-400	16.0	13.75	5.33	3.69	EYA-400-A



### EYSEF - EXPANDED FILL FEMALE HUBS FOR SEALING IN VERTICAL OR HORIZONTAL POSITIONS

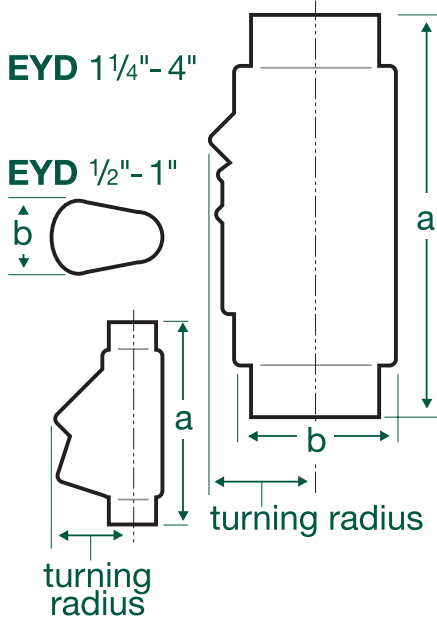
Pipe Size	FERROUS Catalog #	Nominal Weight	A	B	Turning Radius	Aluminum Catalog #
1/2"	EYSEF-50	1.5	4.69	1.58	1.25	EYSEF-50-A
3/4"	EYSEF-75	2.1	5.81	1.83	1.38	EYSEF-75-A
1"	EYSEF-100	2.7	7.06	2.27	1.72	EYSEF-100-A
1-1/4"	EYSEF-125	3.7	8.75	3.08	2.31	EYSEF-125-A
1-1/2"	EYSEF-150	4.7	9.25	3.08	2.31	EYSEF-150-A
2"	EYSEF-200	6.7	12.50	4.33	3.31	EYSEF-200-A
2-1/2"	EYSEF-250	7.7	13.19	4.83	3.44	EYSEF-250-A
3"	EYSEF-300	8.7	13.75	5.33	3.69	EYSEF-300-A
3-1/2"	EYSEF-350	9.7	15.06	6.58	4.59	EYSEF-350-A
4"	EYSEF-400	10.7	15.06	6.58	4.59	EYSEF-400-A

### EYAM - MALE/FEMALE HUBS FOR SEALING IN VERTICAL OR HORIZONTAL POSITIONS

Pipe Size	FERROUS Catalog #	Nominal Weight	A	B	Turning Radius	Aluminum Catalog #
1/2"	EYAM-50	1.5	5.19	1.33	1.16	EYAM-50-A
3/4"	EYAM-75	1.2	5.19	1.58	1.25	EYAM-75-A
1"	EYAM-100	2.6	6.31	1.83	1.38	EYAM-100-A
1-1/4"	EYAM-125	2.8	7.56	2.27	1.72	EYAM-125-A
1-1/2"	EYAM-150	3.7	8.50	2.52	2.06	EYAM-150-A
2"	EYAM-200	5.6	10.25	3.08	2.31	EYAM-200-A
2-1/2"	EYAM-250	13.2	11.50	3.58	2.69	EYAM-250-A
3"	EYAM-300	11.2	12.50	4.33	3.31	EYAM-300-A
3-1/2"	EYAM-350	14.5	13.19	4.83	3.44	EYAM-350-A
4"	EYAM-400	1.5	13.75	5.33	3.69	EYAM-400-A

Sealing Fittings continued on following pages...

### Sealing Fittings



#### EYD - FEMALE HUBS WITH DRAIN.

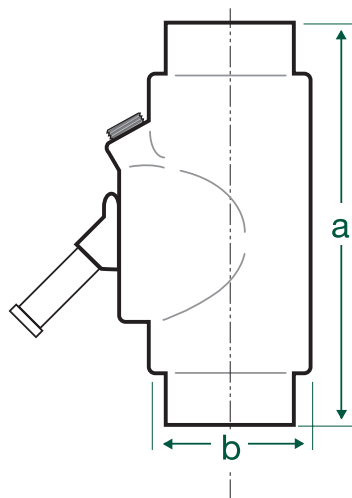
FOR SEALING IN VERTICAL POSITIONS ONLY.

Pipe Size	FERROUS Catalog #	Nominal Weight	A	B	Turning Radius	Aluminum Catalog #
1/2"	EYD-50	1.4	4.28	1.58	1.63	EYD-50-A
3/4"	EYD-75	1.7	5.19	1.83	1.91	EYD-75-A
1"	EYD-100	2.3	6.31	2.27	2.38	EYD-100-A
1-1/4"	EYD-125	2.5	7.56	2.27	1.84	EYD-125-A
1-1/2"	EYD-150	4.0	8.50	2.52	2.06	EYD-150-A
2"	EYD-200	4.7	10.25	3.08	2.31	EYD-200-A
2-1/2"	EYD-250	9.0	11.50	3.58	2.69	EYD-250-A
3"	EYD-300	10.2	12.50	4.33	3.31	EYD-300-A
3-1/2"	EYD-350	10.5	13.19	4.83	3.44	EYD-350-A
4"	EYD-400	4.0	13.75	5.33	3.50	EYD-400-A

#### EYM - MALE/FEMALE HUBS WITH DRAIN.

FOR SEALING IN VERTICAL POSITIONS ONLY.

Pipe Size	FERROUS Catalog #	Nominal Weight	A	B	Turning Radius	Aluminum Catalog #
1/2"	EYDM-50	2.7	4.28	1.58	1.63	EYDM-50-A
3/4"	EYDM-75	2.8	5.19	1.83	1.91	EYDM-75-A
1"	EYDM-100	2.9	6.31	2.27	2.38	EYDM-100-A
1-1/4"	EYDM-125	2.6	7.56	2.27	1.84	EYDM-125-A
1-1/2"	EYDM-150	3.7	8.50	2.52	2.06	EYDM-150-A
2"	EYDM-200	5.2	10.25	3.08	2.31	EYDM-200-A
2-1/2"	EYDM-250	9.5	11.50	3.58	2.69	EYDM-250-A
3"	EYDM-300	11.3	12.50	4.33	3.31	EYDM-300-A
3-1/2"	EYDM-350	12.5	13.19	4.83	3.44	EYDM-350-A
4"	EYDM-400	16.7	13.75	5.33	3.50	EYDM-400-A



#### EYDEF - EXPANDED FILL FEMALE HUBS WITH DRAIN.

FOR SEALING IN VERTICAL POSITIONS ONLY.

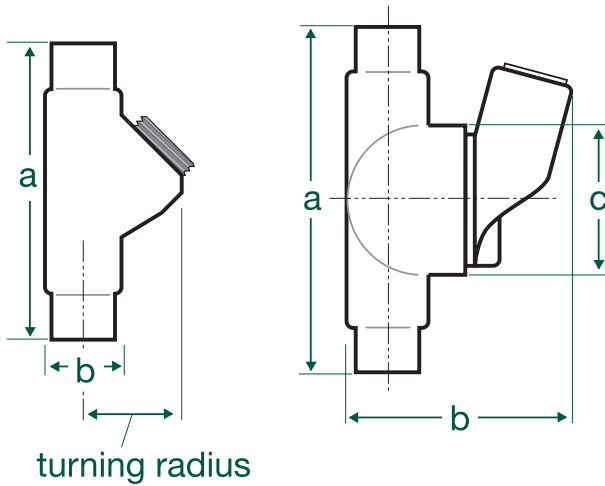
Pipe Size	FERROUS Catalog #	Nominal Weight	A	B	Turning Radius	Aluminum Catalog #
1/2"	EYDEF-50	1.7	4.69	1.83	1.91	EYDEF-50-A
3/4"	EYDEF-75	2.3	5.81	2.27	2.38	EYDEF-75-A
1"	EYDEF-100	2.5	7.06	2.27	1.84	EYDEF-100-A
1-1/4"	EYDEF-125	4.0	8.75	3.08	2.31	EYDEF-125-A
1-1/2"	EYDEF-150	4.7	9.25	3.08	2.31	EYDEF-150-A
2"	EYDEF-200	9.0	12.50	4.33	3.31	EYDEF-200-A
2-1/2"	EYDEF-250	10.2	13.19	4.83	3.44	EYDEF-250-A
3"	EYDEF-300	10.5	13.75	5.33	3.50	EYDEF-300-A

## Sealing Fittings

### EZS- FEMALE HUBS.

FOR SEALING IN ANY POSITION.

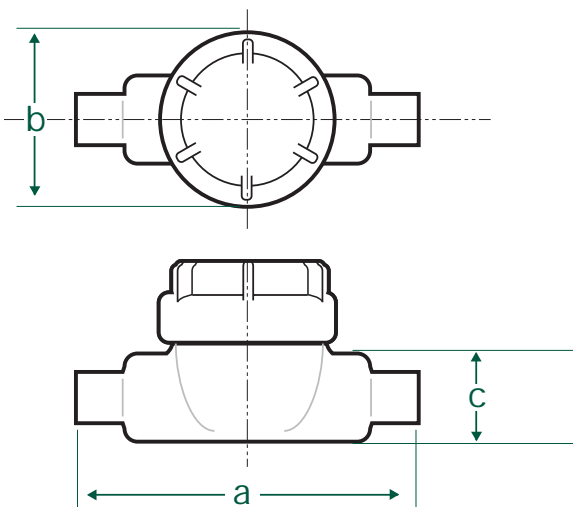
Pipe Size	FERROUS Catalog #	Nominal Weight	A	B	C	Turning Radius
1/2"	EZS-50	2.0	5.19	3.71	2.58	1.88
3/4"	EZS-75	2.3	5.19	3.71	2.58	1.88
1"	EZS-100	2.7	5.94	4.05	3.08	2.13
1-1/4"	EZS-125	3.5	6.06	4.49	3.08	2.31
1-1/2"	EZS-150	4.0	6.19	4.64	3.33	2.34
2"	EZS-200	8.2	11.06	5.49	5.27	3.28
2-1/2"	EZS-250	8.5	11.94	5.92	5.27	3.38
3"	EZS-300	9.0	12.63	6.58	5.96	3.88



### EZDM- MALE/FEMALE HUBS WITH DRAIN.

FOR SEALING IN ANY POSITION.

Pipe Size	FERROUS Catalog #	Nominal Weight	A	B	C	Turning Radius
1/2"	EZDM-50	2.0	5.19	3.71	2.58	1.88
3/4"	EZDM-75	2.4	5.69	3.71	2.58	1.88
1"	EZDM-100	3.0	6.94	4.05	3.08	2.13
1-1/4"	EZDM-125	4.0	7.56	4.49	3.08	2.31
1-1/2"	EZDM-150	4.6	8.19	4.64	3.33	2.34
2"	EZDM-200	6.9	11.06	5.49	5.27	3.28
2-1/2"	EZDM-250	9.2	11.94	5.92	5.27	3.38
3"	EZDM-300	8.7	12.63	6.58	5.96	3.88



### EZD- FEMALE HUBS

WITH DRAIN AND INSPECTION COVER.

Pipe Size	FERROUS Catalog #	Nominal Weight	A	B	C	Turning Radius
1/2"	EZD-50		5.19	3.08	3.46	2.06
3/4"	EZD-75		5.69	3.08	3.71	2.19
1"	EZD-100		6.94	3.58	3.96	2.44
1-1/4"	EZD-125		7.44	3.58	4.39	2.63
1-1/2"	EZD-150		8.19	3.58	4.64	2.69
2"	EZD-200		11.13	5.64	5.33	3.69