

Knockout Hubs

ST style knockout hubs are used to terminate conduit runs through the wall of a sheet metal electrical enclosure. They are available with or without grounding lug. STTB style hubs are "Through-Bulkhead" fittings used to pass conduit runs through firewalls or bulkheads up to 1/8" thick. STTTB style hubs perform the same function for unlimited wall thicknesses, (furnished without nipples).

FEATURES

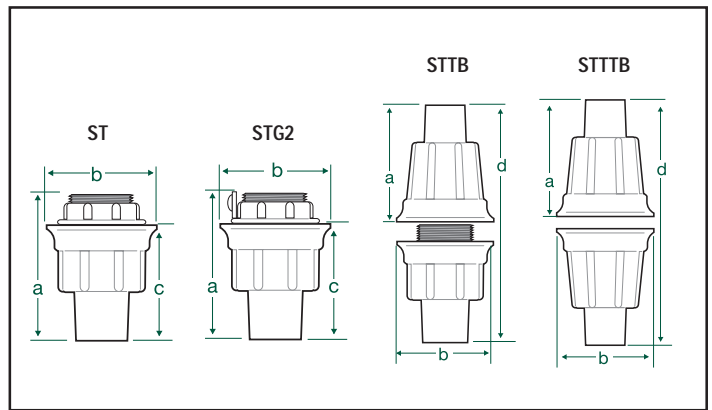
- 40 mil gray PVC exterior coating
- 2 mil green urethane interior coating
- ST and STTB available in 12 trade sizes from 1/2" through 6"
- STTTB in 6 trade sizes from 1/2" through 2".
- Sealing sleeves on conduit side of hub
- Molded PVC gasket seals flush with enclosure wall.
- O-ring gasket provides additional seal

COMPLIANCES

- UL
- CSA

NOTE:

- All Screw-tight Hubs are listed for NEMA type enclosures 2, 3, 3R, 4, 4x, 11 and 12
- Grounding and Bonding Hubs are listed for NEMA Enclosures 2, 3, 3R, 4 and 12



ST

Pipe Size	Catalog #	Nominal Weight	A	B	C	MAX WALL THICK	Aluminum Catalog #
1/2"	ST-1	0.2	1.84	2.00	1.31	0.125	STA-1
3/4"	ST-2	0.3	2.22	2.25	1.66	0.125	STA-2
1"	ST-3	0.4	2.66	2.50	2.03	0.125	STA-3
1-1/4"	ST-4	0.4	2.94	3.25	2.28	0.125	STA-4
1-1/2"	ST-5	0.6	3.19	3.50	2.53	0.125	STA-5
2"	ST-6	1.2	3.75	4.25	3.09	0.125	STA-6
2-1/2"	ST-7	1.5	4.22	4.75	3.28	0.125	STA-7
3"	ST-8	2.1	4.31	5.25	3.38	0.125	STA-8
3-1/2"	ST-9	3.0	4.38	5.50	3.44	0.125	STA-9
4"	ST-10	3.5	4.44	6.25	3.50	0.125	STA-10
5"	ST-11	5.4	4.94	7.50	4.00	0.125	STA-11
6"	ST-12	6.9	5.00	8.50	4.00	0.125	STA-12

STG

Pipe Size	Catalog #	Nominal Weight	A	B	C	MAX WALL THICK	Aluminum Catalog #
1/2"	STG-1	0.2	1.84	2.00	1.31	0.125	STAG-1
3/4"	STG-2	0.3	2.22	2.25	1.66	0.125	STAG-2
1"	STG-3	0.4	2.66	2.50	2.03	0.125	STAG-3
1-1/4"	STG-4	0.4	2.94	3.25	2.28	0.125	STAG-4
1-1/2"	STG-5	0.6	3.19	3.50	2.53	0.125	STAG-5
2"	STG-6	1.2	3.75	4.25	3.09	0.125	STAG-6
2-1/2"	STG-7	1.5	4.22	4.75	3.28	0.125	STAG-7
3"	STG-8	2.1	4.31	5.25	3.38	0.125	STAG-8
3-1/2"	STG-9	3.0	4.38	5.50	3.44	0.125	STAG-9
4"	STG-10	3.5	4.44	6.25	3.50	0.125	STAG-10
5"	STG-11	5.4	4.94	7.50	4.00	0.125	STAG-11
6"	STG-12	6.9	5.00	8.50	4.00	0.125	STAG-12

Knockout Hubs & Conduit Outlet Boxes for Hazardous Locations

STTB

Pipe Size	Catalog #	Nominal Weight	A	B	C	MAX WALL THICK	Aluminum Catalog #
1/2"	STTB-1	0.5	1.84	2.00	3.68	0.19	STTB-1
3/4"	STTB-2	0.5	2.22	2.25	4.44	0.19	STTB-2
1"	STTB-3	0.7	2.66	2.50	5.32	0.25	STTB-3
1-1/4"	STTB-4	1.0	2.94	3.25	5.88	0.25	STTB-4
1-1/2"	STTB-5	1.2	3.19	3.50	6.38	0.25	STTB-5
2"	STTB-6	1.7	3.75	4.25	7.50	0.25	STTB-6
2-1/2"	STTB-7	2.5	4.22	4.75	8.44	0.25	STTB-7
3"	STTB-8	3.0	4.31	5.25	8.62	0.25	STTB-8
3-1/2"	STTB-9	4.2	4.38	5.50	8.76	0.25	STTB-9
4"	STTB-10	5.9	4.44	6.25	8.88	0.25	STTB-10

STTTB

Pipe Size	Catalog #	Nominal Weight	A	B	C	MAX WALL THICK	Aluminum Catalog #
1/2"	STTTB-1	1.0	1.84	2.00	3.68	*	STTTBA-1
3/4"	STTTB-2	1.0	2.22	2.25	4.44	*	STTTBA-2
1"	STTTB-3	1.4	2.66	2.50	5.32	*	STTTBA-3
1-1/4"	STTTB-4	2.0	2.94	3.25	5.88	*	STTTBA-4
1-1/2"	STTTB-5	2.4	3.19	3.50	6.38	*	STTTBA-5
2"	STTTB-6	3.4	3.75	4.25	7.50	*	STTTBA-6

* Unlimited wall thickness- determined by nipple used.

OE Series Conduit Outlet Boxes are installed in hazardous location conduit systems to serve as pulling and splicing fittings, to connect runs of conduit, to change the direction of a conduit run, or to provide access to conductors. They are provided with covers. Electrical continuity of the conduit system is maintained across assembled joints.

FEATURES

- 40 mil gray PVC exterior coating
- 2 mil green urethane interior coating
- Available in 1/2" or 3/4" trade sizes
- Molded in PVC cover to body gasket seals corrosives out
- Sealing sleeves on all conduit openings
- Compact design saves space
- Encapsulated stainless steel cover screws

COMPLIANCES

- National Electrical Code:
 - Class I, Groups C, D
 - Class II, Groups E, F, G
 - Class III
- UL Standard 886
- ANSI Standard C33.27
- CSA Standard: C22.2 No. 30



OET OUTLET BOXES

Pipe Size	FERROUS CATALOG #	Nominal Weight	A	B	C	D
1/2"	OET50	2.2	4.14	1.64	2.31	1.19
3/4"	OET75	3.0	4.39	1.96	2.81	1.44

OELB OUTLET BOXES

Pipe Size	FERROUS CATALOG #	Nominal Weight	A	B	C	D
1/2"	OELB50	2.2	4.14	1.64	1.89	1.19
3/4"	OELB75	3.0	4.39	1.96	2.14	1.44

