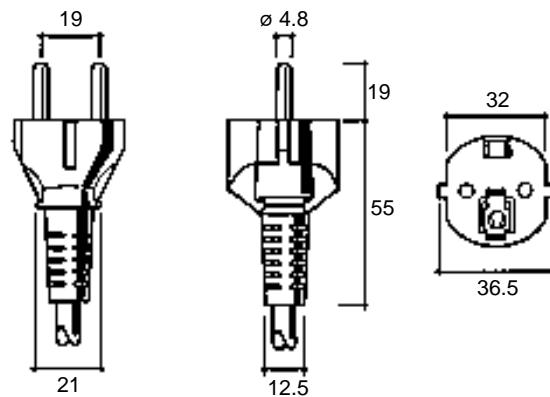




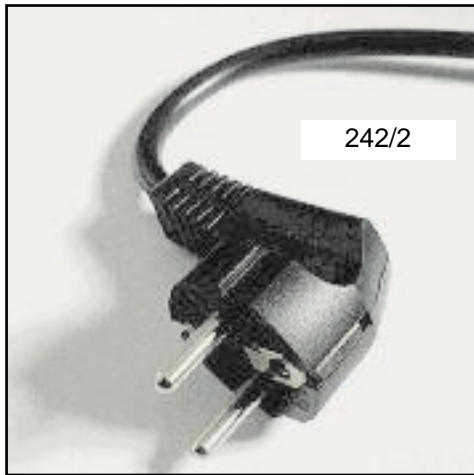
Model: 263/2 Straight plug

Technical features:

Type: Straight 263/2 Schuko
 Material: PVC
 Current rating: 10/16A
 Voltage rating: 250V
 Pins: Nickel brass Ø4.8mm
 STANDARD: CEE 7 (VII) DIN 49441 R1 UNE 20315
 Use: For appliances class I



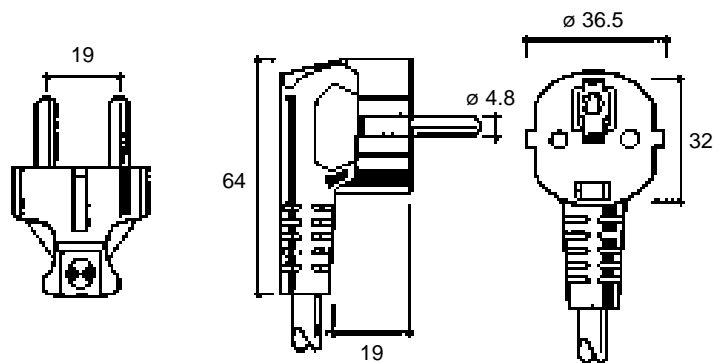
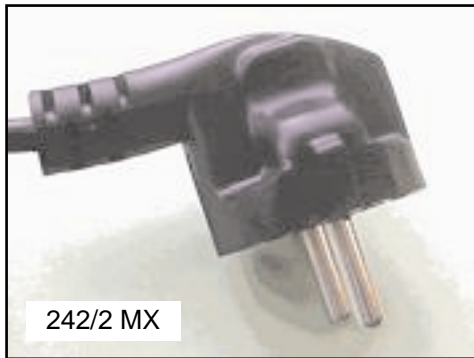
	N	S	CESEC	D	FI	KEMA	KEUR	N	S	GVE	S	B
H03RT-F 3G0,75	●	●	●	●	●	●	●	●	●	●	●	●
H03RT-F 3G1	●	●	●	●	●	●	●	●	●	●	●	●
H03VV-F 3G0,75	●	●	●	●	●	●	●	●	●	●	●	●
H05RN-F 3G0,75	●	●	●	●	●	●	●	●	●	●	●	●
H05RN-F 3G1	●	●	●	●	●	●	●	●	●	●	●	●
H05RR-F 3G0,75	●	●	●	●	●	●	●	●	●	●	●	●
H05RR-F 3G1	●	●	●	●	●	●	●	●	●	●	●	●
H05VV-F 3G0,75	●	●	●	●	●	●	●	●	●	●	●	●
H05VV-F 3G1	●	●	●	●	●	●	●	●	●	●	●	●
H05VV-F 3G1,5	●	●	●	●	●	●	●	●	●	●	●	●
H07RN-F 3G1	●	●	●	●	●	●	●	●	●	●	●	●
H07RN-F 3G1,5												●
NXMHX 3G0,75												●
H05BB-F 3G0.75				●	●	●	●	●	●	●	●	●
H05BB-F 3G1				●	●	●	●	●	●	●	●	●
H05BB-F 3G1.5				●	●	●	●	●	●	●	●	●
H05BN-4 3G0.75				●	●	●	●	●	●	●	●	●
H05BN-4 3G1				●	●	●	●	●	●	●	●	●



Model: 242/2 Right angle plug

Technical features:

Type: Right angle 242/2 Schuko
 Material: PVC
 Current rating: 10/16A
 Voltage rating: 250V
 Pins: Nickel brass Ø4.8mm
 STANDARD: CEE 7 (VII) DIN 48441 R1 UNE 20315
 Use: For appliances class I



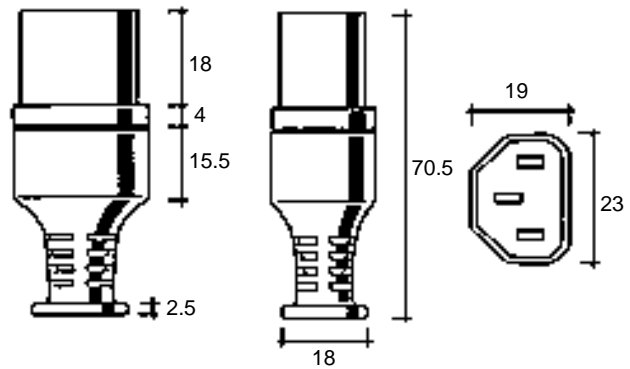
	N	S	CESEC	D	FI	KEUR	N	S	S	B
H03RT-F 3G0,75	●	●	●	●	●	●	●	●	●	●
H03RT-F 3G1			●	●	●	●	●	●	●	●
H03VV-F 3G0,5										●
H03VV-F 3G0,75	●	●	●	●	●	●	●	●	●	●
H05RN-F 3G0,75	●	●	●	●	●	●	●	●	●	●
H05RN-F 3G1	●	●	●	●	●	●	●	●	●	●
H05RR-F 3G0,75	●	●	●	●	●	●	●	●	●	●
H05RR-F 3G1	●	●	●	●	●	●	●	●	●	●
H05VV-F 3G0,75	●	●	●	●	●	●	●	●	●	●
H05VV-F 3G1	●	●	●	●	●	●	●	●	●	●
H05VV-F 3G1,5	●	●	●	●	●	●	●	●	●	●
H05BB-F 3G0.75					●		●		●	
H05BB-F 3G1					●		●		●	
H05BB-F 3G1.5					●		●		●	
H05BN-4 3G0.75					●		●		●	
H05BN-4 3G1					●		●		●	



Model: 294 Connector

Technical features:

Type: Connector 294 (65°C) cold conditions
 Material: PVC
 Current rating: 10A
 Voltage rating: 250V
 STANDARD: IEC-320- EN 60320
 Use: For appliances class I (cold conditions)



H05VV-F 3G0,75

H05VV-F 3G1

