

## USA / Canada / Mexico Snap-In Receptacles

### Features

- Heavy spring brass contacts integral with terminals.
- Smooth, thermoset face resists scratching.
- Quick connect terminals are standard 0.25" (6.35mm).
- Wire leads are 6" (152.4mm) long, 105°C, #14 line, #16 grounding, pre-stripped 0.75" (19.05mm).
- Slotted terminals are lay-in design ready for solder.
- Integral snap-in clamps accept 0.032" (0.794mm) to 0.070" (1.778mm) range of panel thicknesses. †
- Cut out for 49 is 0.968" (24.59mm) x 0.968" (24.59mm).



49-7BK

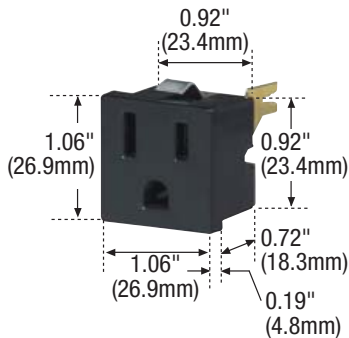


49-81BK

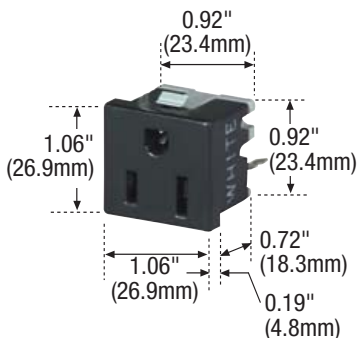
Catalog No.	Description	Weight/ea	VPE/Pack	EDP-No.
<b>49BK-BU</b>	Receptacle, Black, Q.C. with Ground Screw	18 g	500	<b>101195</b>
<b>49W-BU</b>	Receptacle, White, Q.C. with Ground Screw	18 g	500	<b>101196</b>

† For special panel thicknesses, consult factory

### 2 Pole, 3 Wire Grounding, 15A / 125V

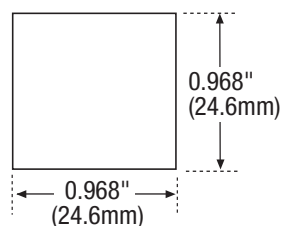


49-81



49-7

#### Panel Cutout 49



Panel Thickness **0.032" - 0.070"**

#### Catalog No.

Description	Color	Quick Connect with Screw Terminal Grounding			
		Wire Leads	Parallel Quick Conn.	90 Degree Quick Conn.	
Single/Fiber Back/Steel Clips	Black	—	—	—	49-81BK
Single/Fiber Back/Steel Clips	White	—	—	—	49-81W
Single/Plastic Back & Clips	Black	49BK	49-2BK	49-7BK	49-8BK
Single/Plastic Back & Clips	White	49W	49-2W	—	—
Single/Fiber Back/Steel Clips	Black	49-01BK*	49-21BK*	—	—

\*Not NOM

#### TESTING & CODE COMPLIANCE

- UL Listed to 498 (file no. E15058).
- CSA (file no. 6914 (6233-01)).
- Meets all CSA requirements, C22.2 no. 42.
- NOM certified, except as noted.

#### MATERIAL CHARACTERISTICS

Meets flammability requirements per UL 94, VO rated. Temperature Rating: -20°C to 60°C.

## USA / Canada / Mexico Snap-In Receptacles

### Features

- Heavy spring brass contacts integral with terminals.
- Smooth, thermoset face resists scratching.
- Quick connect terminals are standard 0.25" (6.35mm).
- Wire leads are 6" (152.4mm) long, 105°C, #14 line, #16 grounding, pre-stripped 0.75" (19.05mm).
- Slotted terminals are lay-in design ready for solder.
- Integral snap-in clamps accept 0.032" (0.794mm) to 0.070" (1.778mm) range of panel thicknesses. †
- Cut out for 67 is 0.77" (19.56mm) x 1.07" (27.18mm).



67BK

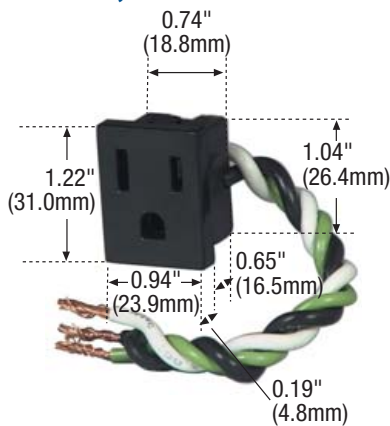


67-21BK

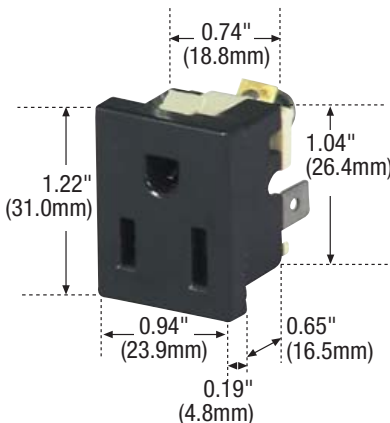
Catalog No.	Description	Weight/ea	VPE/Pack	EDP-No.
<b>67BK-BU</b>	Receptacle, Black, Q.C. with Ground Screw	17 g	250	<b>101420</b>
<b>67W-BU</b>	Receptacle, White, Q.C. with Ground Screw	17 g	250	<b>101421</b>

† For special panel thicknesses, consult factory

### 2 Pole, 3 Wire Grounding, 15A / 125V



67-21

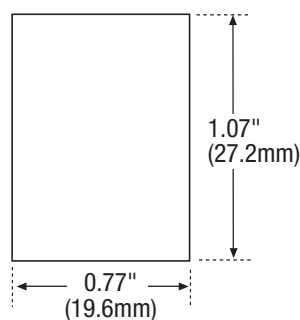


67

Description	Color	Quick Connect with Screw Terminal Grounding		Catalog No.		Parallel Quick Conn.
		Solder	Wire Lead Grounding	Quick Connect with Wire Lead Grounding	Wire Leads	
Single/Fiber Back & Steel Clips	Black/White	—	—	—	67-21BK	—
Single/Plastic Back & Clips	Black/White	67BK/67W	—	—	—	67-7BK*
Single/Fiber Back & Steel Clips	Black	67-01BK*	—	67-31BK*	—	—

\*Not NOM \*\*By Special Order

#### Panel Cutout 67



Panel Thickness 0.032" - 0.070"

#### TESTING & CODE COMPLIANCE

- UL Listed to 498 (file no. E15058).
- CSA (file no. 6914 (6233-01)).
- Meets all CSA requirements, C22.2 no. 42.
- NOM certified, except as noted.

#### MATERIAL CHARACTERISTICS

Meets flammability requirements per UL 94, VO rated.  
Temperature Rating: -40°C to 65°C.