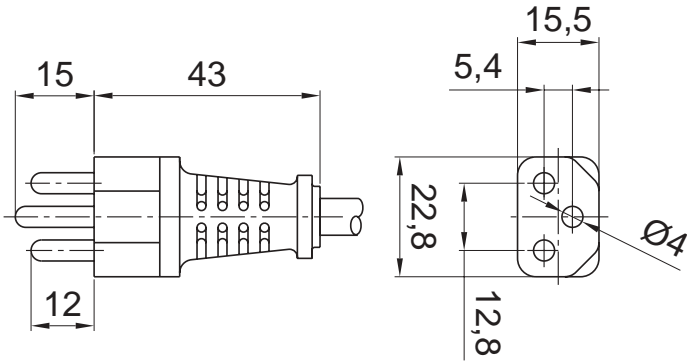


Plug Connector T 70°C



No. 6002



Geräteschutzklasse I / equipment class I
 UL 817 488 / CSA C22 1



 6A/250Vac

 6A/250Vac

Ordering Example: **6 0 0 2 - 0 0 0 0 0 2 0 0 N A**

Basic catalog number denotes standard version!

NOTE: 2nd end of standard version is stripped and not equipped with any connector!

Cord Length (mm)
 0200 = (standard)

Color
 A = black (RAL 9005) (standard)
 B = grey (RAL 7001)

Cable Type
 N = SVT 18/3 (standard)
 P = SJT 18/3

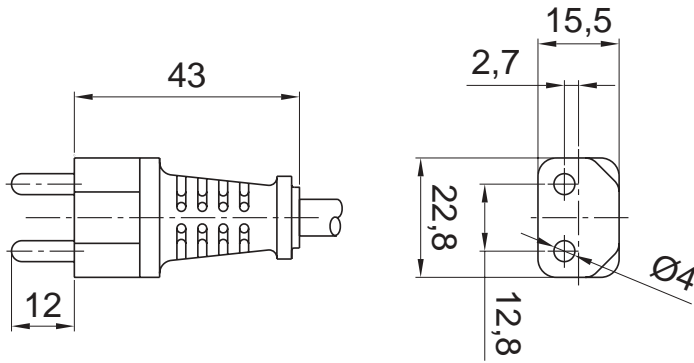
Usual Outlets:

No. 5177 No. 5178

Check the catalog no. of your choice to get specific informations on the product.



Plug Connector T 70°C



No. 602B



Geräteschutzklasse II / equipment class II
 UL 817 498 / CSA C22 1



6A/250Vac



6A/250Vac

Ordering Example: 6 0 2 B - 0 0 0 0 0 2 0 0 M A

Basic catalog number denotes standard version!

NOTE: 2nd end of standard version is stripped and not equipped with any connector!

Cord Length (mm)
 0200 = (standard)

Color
 A = black (RAL 9005) (standard)
 B = grey (RAL 7001)

Cable Type
 M = SVT 18/2 (standard)

Usual Outlets:

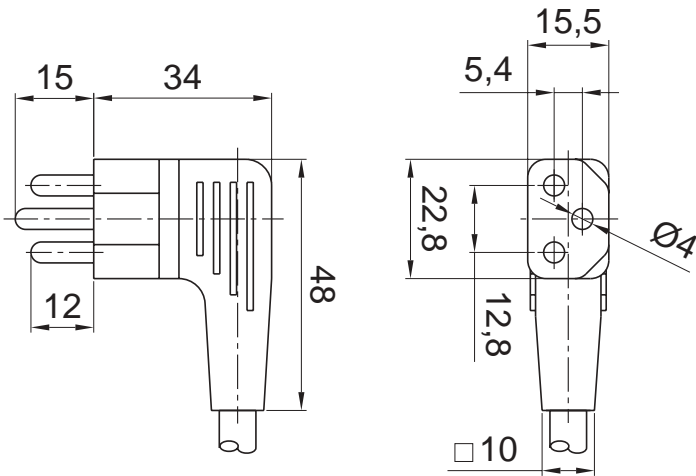
No. 5177-B

No. 5178-B

Check the catalog no. of your choice to get specific informations on the product.



Plug Connector T 70°C




No. 6004



Geräteschutzklasse I / equipment class I
 UL 817 488 / CSA C22 1



 6A/250Vac

 6A/250Vac

Ordering Example: 6 0 0 4 - 0 0 0 0 0 2 0 0 N A

Basic catalog number denotes standard version!

NOTE: 2nd end of standard version is stripped and not equipped with any connector!

Cord Length (mm)
 0200 = (standard)

Color
 A = black (RAL 9005) (standard)
 B = grey (RAL 7001)

Cable Type
 N = SVT 18/3 (standard)
 P = SJT 18/3

Usual Outlets:

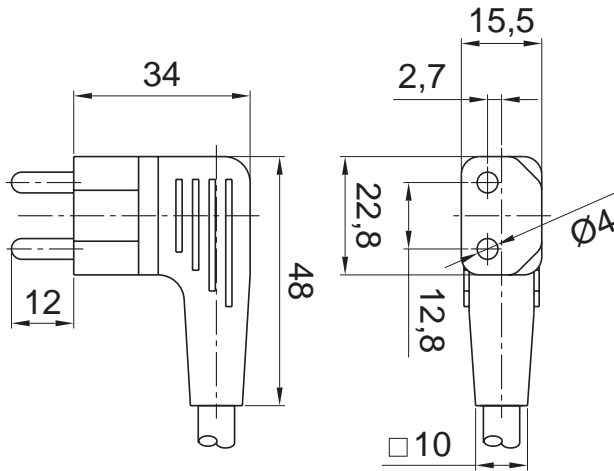
No. 5177

No. 5178

Check the catalog no. of your choice to get specific informations on the product.



Plug Connector T 70°C



No. 604B



Geräteschutzklasse II / equipment class II
 UL 817 498 / CSA C22 1



6A/250Vac



6A/250Vac

Ordering Example: 6 0 4 B - 0 0 0 0 0 2 0 0 M A

Basic catalog number denotes standard version!

NOTE: 2nd end of standard version is stripped and not equipped with any connector!

Cord Length (mm)
 0200 = (standard)

Color
 A = black (RAL 9005) (standard)
 B = grey (RAL 7001)

Cable Type
 M = SVT 18/2 (standard)

Usual Outlets:

No. 5177-B

No. 5178-B

Check the catalog no. of your choice to get specific informations on the product.

