

USA / Canada / Europe - Electric Heaters

Construction

- Attractive and durable housing is anodized aluminum
- Thermostat, standard on all units, is adjustable from 0°F to 100°F (-18°C to 38°C)
- Fan draws cool air from the bottom of the enclosure and passes this air across the thermostat and heating elements before being released into enclosure cavity
- Heated air is discharged through the top of the heater unit
- Four 10-32 self-tapping screws included with each heater
- Ball bearing fan runs continuously for even temperature distribution
- Terminal strip with clamp connector that accepts both solid and stranded wire



Application

- Designed to protect sensitive mechanical, electrical and electronic equipment from the harmful effects of condensation, corrosion, and low temperatures. Thermostatically controlled fan-driven heater units maintain a stable temperature within enclosures so critical components can perform more reliably over a longer period of time.

Finish

- Brushed aluminum.

Industry Standards

- UL Component Recognized, CSA Listed, CE

Catalog Number	Watts	Voltage	Hz	Amps	Weight lb. (kg.)
DAH1001A	100	115	50/60	0.9	4.00 (1.81)
DAH1002A	100	230	50/60	0.6	4.00 (1.81)
DAH2001A	200	115	50/60	1.7	4.00 (1.81)
DAH2002A	200	230	50/60	0.9	4.00 (1.81)
DAH4001B	400	115	50/60	3.3	6.00 (2.72)
DAH4002B	400	230	50/60	1.7	6.00 (2.72)
DAH8001B	800	115	50/60	6.5	6.00 (2.72)
DAH8002B	800	230	50/60	3.3	6.00 (2.72)

Installation

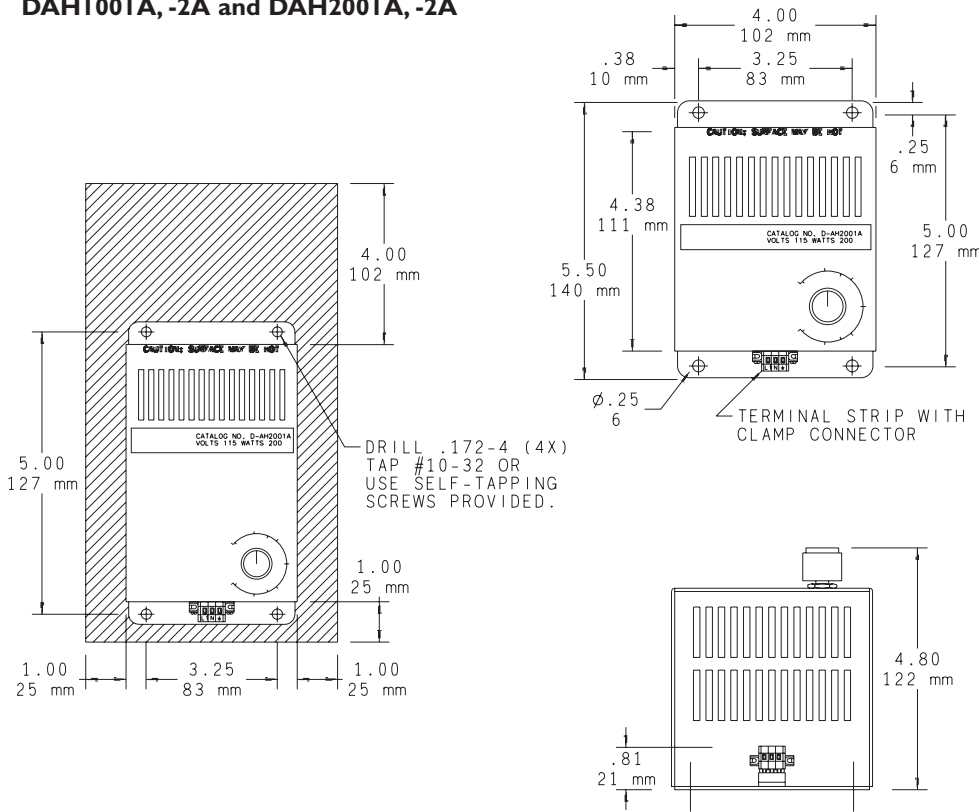
- CAUTION

These electric heaters are not designed for use in dusty, dirty, corrosive, or hazardous locations. Portions of the heater can get hot. Adequate protection must be taken to protect people from potential burns, and to protect other components from this heat.

We recommends this heater only be installed in a totally-enclosed metal enclosure. Do not install heaters on wood panels.

- These electric heaters should be centered as low as possible on an interior enclosure panel. This permits the unit to heat the cool air located at the bottom of the enclosure. For maximum efficiency and longevity, the heater should be mounted in a vertical position with the terminal block to the bottom and the air outlet openings at the top in a sealed enclosure free from dust or debris. However, the unit will also effectively distribute heat if turned 90 degrees with the terminal block out the bottom and the air outlet at the side. Although enclosure panels are preferable, heaters may be installed on any flat sheet metal surface. Do not install heaters on wood panels. Heat sensitive components should not be placed near the heater discharge area since this air can be quite warm. The clearance range defines the space that must be kept free of these components for proper and safe operation of the heater.

■ Dimensions and Clearance Range for DAH1001A, -2A and DAH2001A, -2A



■ Dimensions and Clearance Range for DAH4001B, -2B and DAH8001B, -2B

