

Germany – PERILEX
Plugs and Connectors, 16A-Series

SPECIFICATIONS

- 3-Pole + Neutral + Ground
- 16 Amp, 400/230 Volt AC
- According DIN 49445/46

PERILEX-Steckvorrichtungen
 3polig + N + PE, 16A 400/230VAC,
 nach DIN 49445/46



Catalog No.	Color	Description	Weight/ea	VPE/Pack	EDP-No.
2201110	White	Plug, Duroplast	99 g	10	117455
2206110	White	Connector, Duroplast	149 g	10	117456
2201260	Gray	Plug, PVC, IP44	156 g	10	117457
2206260	Gray	Connector, PVC	157 g	10	117458

Germany – PERILEX
Plugs and Connectors, 16A-Series

SPECIFICATIONS

- 3-Pole + Neutral + Ground
- 16 Amp, 400/230 Volt AC
- According DIN 49445/46

PERILEX-Steckvorrichtungen
 3polig + N + PE, 16A 400/230VAC,
 nach DIN 49445/46



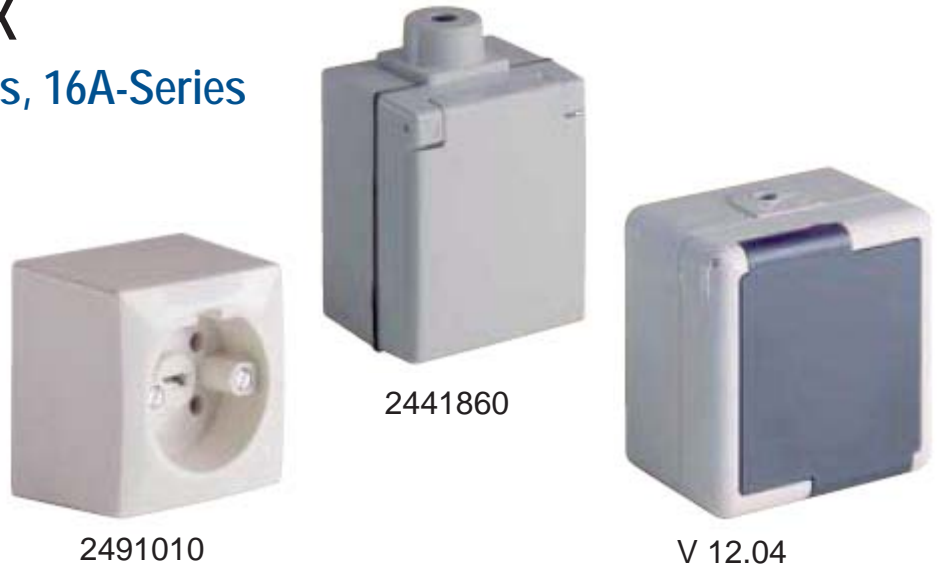
Catalog No.	Color	Description	Weight/ea	VPE/Pack	EDP-No.
2407110	White	Angle Plug, Duroplast	113 g	10	117461
2429090	Black	Rubber Plug, IP44	182 g	10	117459
2489090	Black	Rubber Connector	271 g	10	117460

Germany – PERILEX
Surface Mount Receptacles, 16A-Series

SPECIFICATIONS

- 3-Pole + Neutral + Ground
- 16 Amp, 400/230 Volt AC
- According DIN 49445/46

PERILEX-Steckvorrichtungen
 3polig + N + PE, 16A 400/230VAC,
 nach DIN 49445/46



Catalog No.	Color	Description	Weight/ea	VPE/Pack	EDP-No.
2491010	White	Surface Mounting Receptacle	136 g	10	119742
2441860	Gray	Surface Mounting Receptacle, IP44	271 g	5	117464
V 12.04	Gray	Surface Mounting Receptacle, IP44	240 g	10	121992

Germany – PERILEX
Flush Mount Receptacles, 16A-Series

SPECIFICATIONS

- 3-Pole + Neutral + Ground
- 16 Amp, 400/230 Volt AC
- According DIN 49445/46

PERILEX-Steckvorrichtungen
 3polig + N + PE, 16A 400/230VAC,
 nach DIN 49445/46



Catalog No.	Color	Description	Weight/ea	VPE/Pack	EDP-No.
2421110	White	Flush Mounting Receptacle	142 g	10	117463
2451510	White	Flush Mounting Receptacle, IP44, supplied with Flush Mount Wall Box	234 g	10	119466

Germany – PERILEX Panel Mount Receptacles, 16A-Series

SPECIFICATIONS

- 3-Pole + Neutral + Ground
- 16 Amp, 400/230 Volt AC
- According DIN 49445/46

PERILEX-Steckvorrichtungen

3polig + N + PE, 16A 400/230VAC,
nach DIN 49445/46

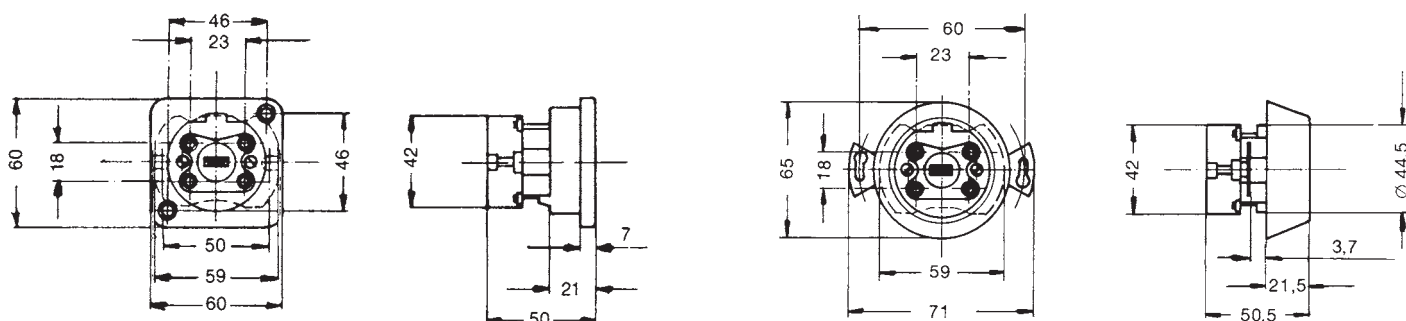


2213510



2213910

Catalog No.	Color	Description	Weight/ea	VPE/Pack	EDP-No.
2213510	White	Panel Mounting Receptacle	149 g	10	121993
2213910	White	Panel Mounting Receptacle	155 g	10	121994



To learn more about B-I-A please visit us at our
WEB site: www.BiaGmbH.com



Germany – PERILEX Angle Plug and Receptacles, 25A-Series

SPECIFICATIONS

- 3-Pole + Neutral + Ground
- 25 Amp, 400/230 Volt AC
- According DIN 49447/48

PERILEX-Steckvorrichtungen
3polig + N + PE, 25A 400/230VAC,
nach DIN 49447/48



Catalog No.	Color	Description	Weight/ea	VPE/Pack	EDP-No.
2302010	White	Angle Plug, Duroplast	186 g	10	117462
2304160	Gray	Surface Mounting Receptacle, IP44	604 g	5	121995
2300010	White	Surface Mounting Receptacle	284 g	10	121996
2303110	White	Flush Mounting Receptacle	266 g	10	121997
2307100	-	Flush Mount Box for Cat. #2303110	111 g	20	121998

To learn more about B-I-A please visit us at our
WEB site: www.BiaGmbH.com

